

Housing screw connection - SACC-BP-F-M12/ VAR-1,7/2,5-9TIP - 1414232

Please be informed that the data shown in this PDF Document is generated from our Online Catalog. Please find the complete data in the user's documentation. Our General Terms of Use for Downloads are valid (<http://phoenixcontact.com/download>)



M12 housing screw connection with tolerance-compensating function, for straight, THR solderable M12 socket contact inserts. Suitable for 1.7 mm ... 2.5 mm thick front plates.



Key Commercial Data

| | |
|------------------------|---------------|
| Packing unit | 10 pc |
| Minimum order quantity | 10 pc |
| GTIN | |
| GTIN | 4055626022734 |

Technical data

Ambient conditions

| | |
|---------------------------------|---|
| Ambient temperature (operation) | -25 °C ... 85 °C (Plug / socket) |
| | -40 °C ... 85 °C (without mechanical actuation) |
| Degree of protection | IP67 (correctly plugged in and locked) |

General

| | |
|-----------------------------|---|
| Note | The electrical and mechanical data specified assume that the connector pair is correctly locked and mounted. If the connector is unlocked and if there is a danger of pollution, the connector must be sealed using a protective cap > IP54. The M12 housing screw connection can only be used in conjunction with mating connectors and protective caps with M12 standard thread. Mating connectors with SPEEDCON thread cannot be used. |
| Standards/regulations | M12 connector IEC 61076-2-101 |
| Insertion/withdrawal cycles | > 100 |
| Torque | 0.6 Nm (Tightening torque of mating connector) |
| Mounting type | Rear mounting 2-section, lockable |

Material

Housing screw connection - SACC-BP-F-M12/ VAR-1,7/2,5-9TIP - 1414232

Technical data

Material

| | |
|--|--|
| Flammability rating according to UL 94 | V0 |
| Sealing material | FKM (Form seal) |
| | FKM (O-ring (pin connector pattern)) |
| Additional material specifications | PA 6.6 (Fixing sleeve) |
| | Zinc die-cast, nickel-plated (Threaded sleeve) |
| Color | black (Fixing sleeve) |

Cable

| | |
|--------------------------|-------------------------------|
| Standards/specifications | M12 connector IEC 61076-2-101 |
|--------------------------|-------------------------------|

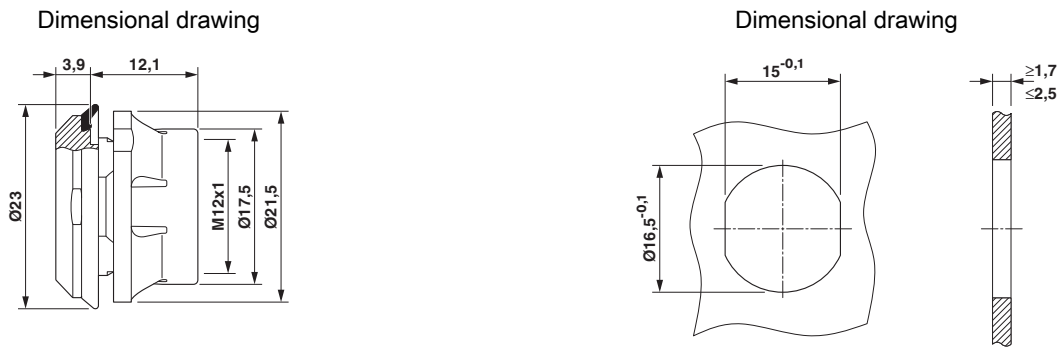
Standards and Regulations

| | |
|--|-----------------|
| Standard designation | M12 connector |
| Standards/regulations | IEC 61076-2-101 |
| Flammability rating according to UL 94 | V0 |

Environmental Product Compliance

| | |
|------------|---|
| China RoHS | Environmentally Friendly Use Period = 50 |
| | For details about hazardous substances go to tab "Downloads", Category "Manufacturer's declaration" |

Drawings



Mounting cutout

Approvals

Approvals

Approvals

EAC

Housing screw connection - SACC-BP-F-M12/ VAR-1,7/2,5-9TIP - 1414232

Approvals

Ex Approvals

Approval details

| | | |
|-----|---|---------|
| EAC |  | B.01742 |
|-----|---|---------|

Phoenix Contact 2019 © - all rights reserved
<http://www.phoenixcontact.com>

PHOENIX CONTACT GmbH & Co. KG
Flachsmarktstr. 8
32825 Blomberg
Germany
Tel. +49 5235 300
Fax +49 5235 3 41200
<http://www.phoenixcontact.com>