

Housing - HC-STA-D07-HHFS-1SGM20-PL-BK - 1419257


Please be informed that the data shown in this PDF Document is generated from our Online Catalog. Please find the complete data in the user's documentation. Our General Terms of Use for Downloads are valid (<http://phoenixcontact.com/download>)



Sleeve housing D7, for single locking latch, material: PA, cable outlets: 1, lateral, height: 54.5 mm, cable gland: with, support sleeve: no, 1x M20, Standard



Key Commercial Data

Packing unit	1 pc
GTIN	 4 055626 159980
GTIN	4055626159980

Technical data

Dimensions

Height	54.5 mm
Width	26.5 mm
Length	26.5 mm
External cable diameter	4 mm ... 10 mm

Ambient conditions

Degree of protection (IP)	IP66
Ambient temperature (operation)	-40 °C ... 125 °C

General

Note	for contact inserts HC-A03, A04, D07, D08, Q02, Q03, Q04, Q05, Q07, Q12
Size	D7
Housing type	Sleeve housing
Color	black
Locking type	for single locking latch
No. of cable outlets	1
Cable outlet	lateral
Screw connection	with

Housing - HC-STA-D07-HHFS-1SGM20-PL-BK - 1419257

Technical data

General

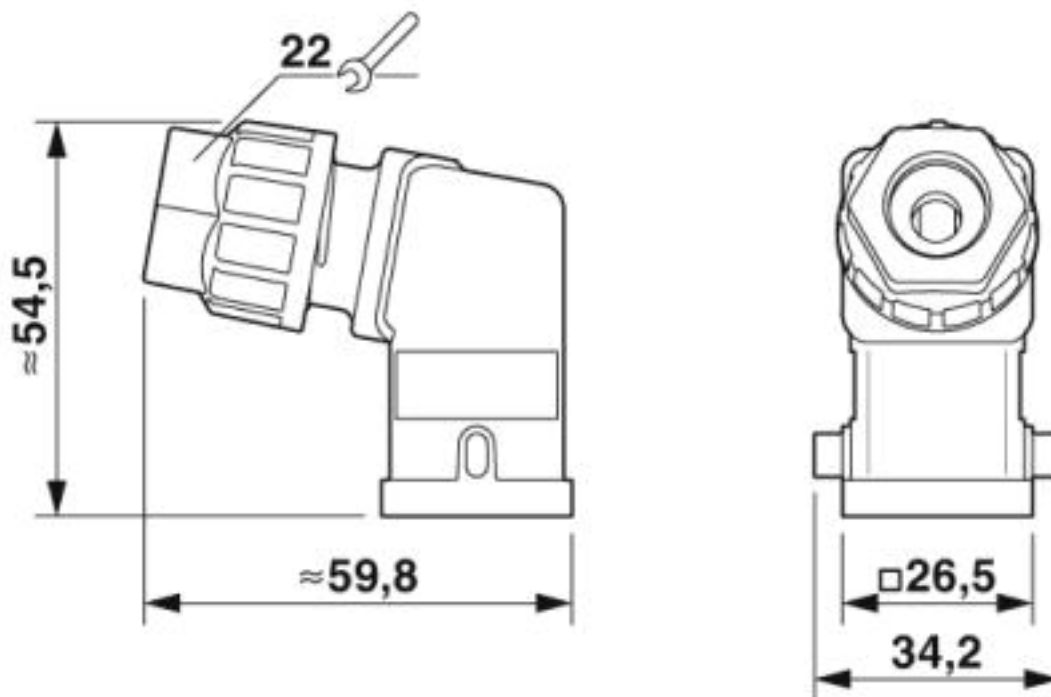
Type of the screw connection	1x M20
Housing material	PA
Material lock	PA
Flammability rating according to UL 94	V0 (Polyamide housing)

Environmental Product Compliance

China RoHS	Environmentally Friendly Use Period = 50 years
	For details about hazardous substances go to tab "Downloads", Category "Manufacturer's declaration"

Drawings

Dimensional drawing



Dimensional drawing

Classifications

eCl@ss

eCl@ss 10.0.1	27440202
eCl@ss 5.1	27261200
eCl@ss 6.0	27261200
eCl@ss 7.0	27440202
eCl@ss 8.0	27440202

Housing - HC-STA-D07-HHFS-1SGM20-PL-BK - 1419257

Classifications

eCl@ss

eCl@ss 9.0	27440202
------------	----------

ETIM

ETIM 5.0	EC000437
ETIM 6.0	EC000437
ETIM 7.0	EC000437

UNSPSC

UNSPSC 13.2	31261501
UNSPSC 18.0	31261501
UNSPSC 19.0	31261501
UNSPSC 20.0	31261501
UNSPSC 21.0	31261501

Approvals

Approvals

Approvals

EAC / DNV GL

Ex Approvals

Approval details

EAC		RU C- DE.AI30.B.01102
-----	--	--------------------------

DNV GL		https://approvalfinder.dnvgl.com/	TAE000037S
--------	--	---	------------

Accessories

Accessories

Labeled device marker

Housing - HC-STA-D07-HHFS-1SGM20-PL-BK - 1419257

Accessories

Plastic label - US-EMLP (20X9) CUS - 0830085



Plastic label, can be ordered: By card, white, labeled according to customer specifications, mounting type: adhesive, lettering field size: 20 x 9 mm, Number of individual labels: 75

Phoenix Contact 2020 © - all rights reserved
<http://www.phoenixcontact.com>

PHOENIX CONTACT GmbH & Co. KG
Flachsmarktstr. 8
32825 Blomberg
Germany
Tel. +49 5235 300
Fax +49 5235 3 41200
<http://www.phoenixcontact.com>