

RJ45 connector - CUC-V14-C1ZNI-S/R4E8 - 1422661

Please be informed that the data shown in this PDF Document is generated from our Online Catalog. Please find the complete data in the user's documentation. Our General Terms of Use for Downloads are valid (<http://phoenixcontact.com/download>)



Push-pull connector (version 14), die-cast zinc, with RJ45 connector insert, 8-pos., with IDC fast connection technology, for 1 and 7-wire cores, 26 ... 24 AWG, for cable diameter of 5.5 mm ... 10 mm


Your advantages

- ✓ Push-pull ADVANCE connector
- ✓ Locking system to prevent inadvertent removal
- ✓ Protected data transmission, thanks to 360° shielding concept
- ✓ High resistance to ESD and EMC for reliable transmission



Ethernet Ethernet

Key Commercial Data

Packing unit	1 pc
GTIN	 4 055626 311197
GTIN	4055626311197

Technical data

Mechanical characteristics

Connection method	IDC fast connection
Minimum external conductor diameter	5.5 mm
Maximum external conductor diameter	10 mm
Overvoltage category	I
AWG solid min.	26
AWG solid max.	24
AWG multi-stranded min.	26
AWG multi-stranded max.	24
Tightening torque max	2.5 Nm
Insertion/withdrawal cycles	≥ 750
Number of positions	8
Degree of protection	IP20

RJ45 connector - CUC-V14-C1ZNI-S/R4E8 - 1422661

Technical data

Mechanical characteristics

Degree of pollution	2
Cable outlet	straight
No. of cable outlets	1
Locking type	Push Pull
Conductor cross section	0.14 mm ² ... 0.23 mm ² (solid)
	0.14 mm ² ... 0.25 mm ² (flexible)
Weight	104.8 g

Ambient conditions

Ambient temperature (operation)	-40 °C ... 70 °C
Ambient temperature (assembly)	-10 °C ... 40 °C
Ambient temperature (storage/transport)	-40 °C ... 70 °C

Material data

Contact surface material	Gold over nickel
Contact material	Copper alloy
Contact carrier material	PC
Cable gland material	CuZn
Seal material	CR
	NBR
	NBR
Housing material	Zinc die-cast
Housing surface material	Nickel-plated
Seal material, O-ring	NBR
Seal material cable seal	CR
Seal material	NBR
Width	22 mm
Height	34 mm
Length	80 mm
Wrench size	20.00 mm

Electrical characteristics

Transmission speed	1 Gbps
Resistance	500 Ω
Connection cross section AWG	26 ... 24 (solid)
	26 ... 24 (flexible)
Rated current	1.75 A
Test voltage Core/Core	1000 V
Test voltage Core/Shield	1500 V
Degree of protection when not plugged in	IP20

Standards and Regulations

Standards/specifications	IEC 61076
--------------------------	-----------

RJ45 connector - CUC-V14-C1ZNI-S/R4E8 - 1422661

Technical data

Standards and Regulations

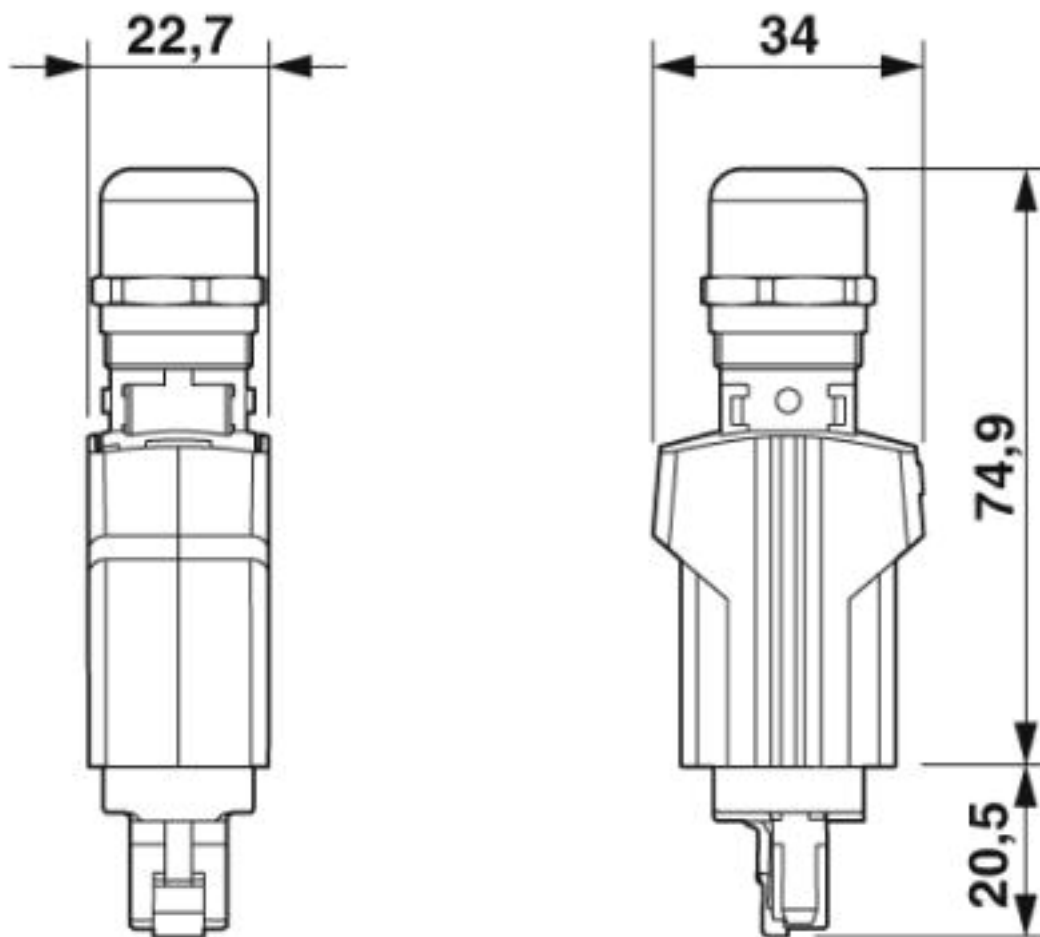
Flammability rating according to UL 94	V0
--	----

Environmental Product Compliance

REACH SVHC	Lead 7439-92-1
China RoHS	Environmentally Friendly Use Period = 50 years
	For details about hazardous substances go to tab "Downloads", Category "Manufacturer's declaration"

Drawings

Dimensional drawing



Classifications

eCl@ss

eCl@ss 10.0.1	27440101
eCl@ss 4.0	27260700

RJ45 connector - CUC-V14-C1ZNI-S/R4E8 - 1422661

Classifications

eCl@ss

eCl@ss 4.1	27260700
eCl@ss 5.0	27260700
eCl@ss 5.1	27260700
eCl@ss 6.0	27260700
eCl@ss 7.0	27440101
eCl@ss 8.0	27440101
eCl@ss 9.0	27440101

ETIM

ETIM 5.0	EC002636
ETIM 6.0	EC002636
ETIM 7.0	EC002636

Approvals

Approvals

Approvals

EAC

Ex Approvals

Approval details

EAC		B.01687
-----	--	---------

Accessories

Accessories

Panel mounting frame

Panel mounting frames - CUC-V14-F1ZNI-EM/R4F8 - 1413961



RJ45 panel mounting frame, IP67, for push-pull interlocking, metal, for rectangular mounting cutout, with seal and mounting screws, incl. RJ45 insert with IDC cable connection

RJ45 connector - CUC-V14-C1ZNI-S/R4E8 - 1422661

Accessories

Panel mounting frames - CUC-V14-F1ZNI-EM/R4B8 - 1413962



RJ45 panel mounting frame, IP67, for push-pull interlocking, metal, for rectangular mounting cutout, with seal and mounting screws, incl. RJ45 coupling module

Panel mounting frames - CUC-V14-F1ZNI-EM/R4O - 1413963



RJ45 panel mounting frame, IP67, for push-pull interlocking, metal, for PCB connection, for square panel cutout, with grommet and mounting screws

Protective cover

Protective covers - VS-PPC-F1-PC-POBK - 1405316



Protective cover, IP65, with push-pull locking for covering the contact insert in the push-pull connector for RJ45 and SC-RJ, plastic

Stripping tool - VS-CABLE-STRIP-VARIO - 1657407



Stripping tool, for the multi-level stripping of shielded cables