

## RJ45 connector - CUC-V14-C1ZNI-B/R4P8 - 1422665

Please be informed that the data shown in this PDF Document is generated from our Online Catalog. Please find the complete data in the user's documentation. Our General Terms of Use for Downloads are valid (<http://phoenixcontact.com/download>)




Push-pull connector (version 14), die-cast zinc, with RJ45 connector insert, 8-pos., with IDC fast connection technology, for 1 and 7-wire cores, 23 ... 22 AWG, for cable diameter of 5.5 mm ... 10 mm

### Your advantages

- ✓ Push-pull ADVANCE connector
- ✓ Locking system to prevent inadvertent removal
- ✓ Protected data transmission, thanks to 360° shielding concept
- ✓ High resistance to ESD and EMC for reliable transmission



### Key Commercial Data

|              |   |
|--------------|---|
| Packing unit | 1 pc  |
| GTIN         | <br>4 055626 311357 |
| GTIN         | 4055626311357   |

### Technical data

#### Mechanical characteristics

|                                     |   |
|-------------------------------------|---|
| Connection method                   | IDC fast connection   |
| Minimum external conductor diameter | 5.5 mm  |
| Maximum external conductor diameter | 10 mm   |
| AWG solid min.                      | 23  |
| AWG solid max.                      | 22  |
| AWG multi-stranded min.             | 23  |
| AWG multi-stranded max.             | 22  |
| Cable outlet                        | angled  |
| No. of cable outlets                | 1   |
| Locking type                        | Push Pull   |
| Conductor cross section             | 0.23 mm <sup>2</sup> ... 0.32 mm <sup>2</sup> (solid)<br>0.23 mm <sup>2</sup> ... 0.36 mm <sup>2</sup> (flexible) |

# RJ45 connector - CUC-V14-C1ZNI-B/R4P8 - 1422665

## Technical data

### Mechanical characteristics

|        |       |
|--------|-------|
| Weight | 109 g |
|--------|-------|

### Ambient conditions

|   |                  |
|---|------------------|
| Ambient temperature (operation)         | -40 °C ... 70 °C |
| Ambient temperature (assembly)          | -10 °C ... 40 °C |
| Ambient temperature (storage/transport) | -40 °C ... 70 °C |

### Material data

|                          |               |
|--------------------------|---------------|
| Housing material         | Zinc die-cast |
| Housing surface material | Nickel-plated |
| Width                    | 22 mm         |
| Height                   | 50 mm         |
| Length                   | 80 mm         |

### Electrical characteristics

|                              |                      |
|------------------------------|----------------------|
| Transmission speed           | 1 Gbps               |
| Connection cross section AWG | 23 ... 22 (solid)    |
|                              | 23 ... 22 (flexible) |
| Rated current                | 1.75 A               |

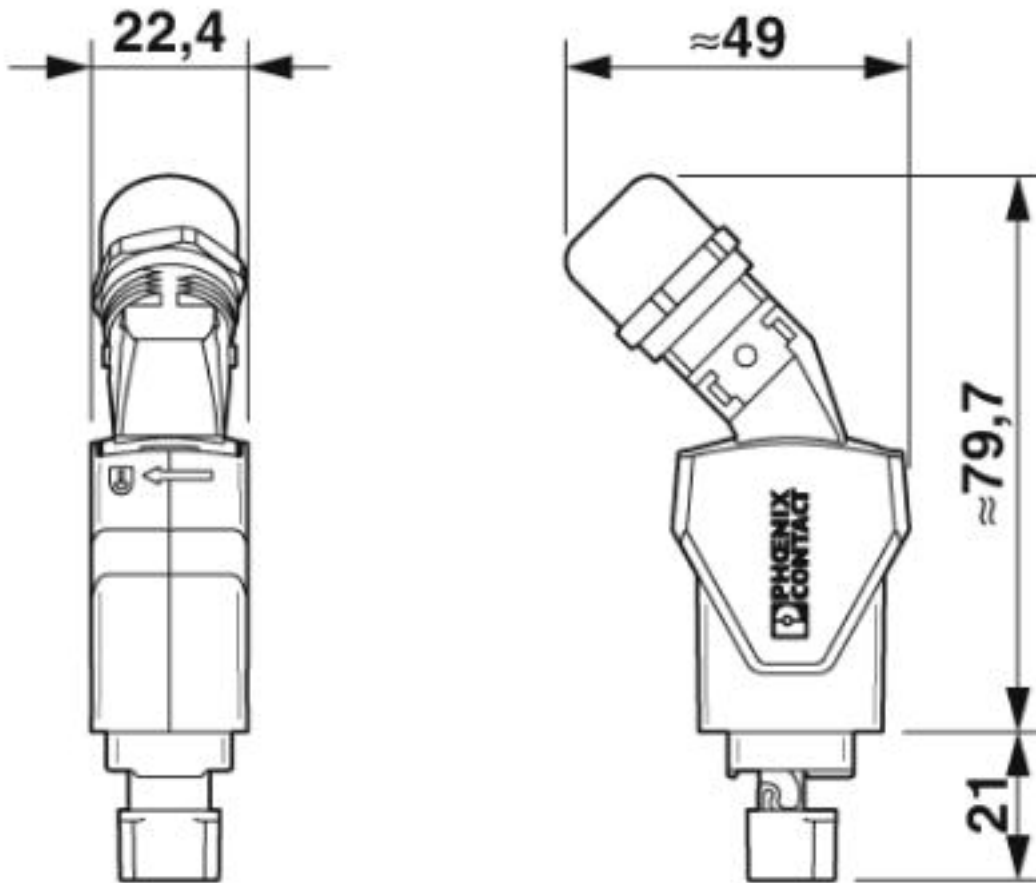
### Environmental Product Compliance

|            |   |
|------------|---|
| REACH SVHC | Lead 7439-92-1  |
| China RoHS | Environmentally Friendly Use Period = 50 years  |
|            | For details about hazardous substances go to tab "Downloads", Category "Manufacturer's declaration" |

## Drawings

# RJ45 connector - CUC-V14-C1ZNI-B/R4P8 - 1422665

Dimensional drawing



## Classifications

eCl@ss

|               |          |
|---------------|----------|
| eCl@ss 10.0.1 | 27440101 |
| eCl@ss 4.0    | 27260700 |
| eCl@ss 4.1    | 27260700 |
| eCl@ss 5.0    | 27260700 |
| eCl@ss 5.1    | 27260700 |
| eCl@ss 6.0    | 27260700 |
| eCl@ss 7.0    | 27440101 |
| eCl@ss 8.0    | 27440101 |
| eCl@ss 9.0    | 27440101 |

ETIM

|          |          |
|----------|----------|
| ETIM 5.0 | EC002636 |
| ETIM 6.0 | EC002636 |
| ETIM 7.0 | EC002636 |

# RJ45 connector - CUC-V14-C1ZNI-B/R4P8 - 1422665

## Approvals

Approvals

---

Approvals

EAC

---

Ex Approvals

---

## Approval details

|     |  |         |
|-----|--|---------|
| EAC |  | B.01687 |
|-----|--|---------|

## Accessories

### Accessories

#### Panel mounting frame

Panel mounting frames - CUC-V14-F1ZNI-EM/R4F8 - 1413961



RJ45 panel mounting frame, IP67, for push-pull interlocking, metal, for rectangular mounting cutout, with seal and mounting screws, incl. RJ45 insert with IDC cable connection

---

Panel mounting frames - CUC-V14-F1ZNI-EM/R4B8 - 1413962



RJ45 panel mounting frame, IP67, for push-pull interlocking, metal, for rectangular mounting cutout, with seal and mounting screws, incl. RJ45 coupling module

---

Panel mounting frames - CUC-V14-F1ZNI-EM/R4O - 1413963



RJ45 panel mounting frame, IP67, for push-pull interlocking, metal, for PCB connection, for square panel cutout, with grommet and mounting screws

---

## Protective cover

## RJ45 connector - CUC-V14-C1ZNI-B/R4P8 - 1422665

### Accessories

Protective covers - VS-PPC-F1-PC-POBK - 1405316



Protective cover, IP65, with push-pull locking for covering the contact insert in the push-pull connector for RJ45 and SC-RJ, plastic

---

Stripping tool - VS-CABLE-STRIP-VARIO - 1657407



Stripping tool, for the multi-level stripping of shielded cables

---

Phoenix Contact 2020 © - all rights reserved  
<http://www.phoenixcontact.com>

PHOENIX CONTACT GmbH & Co. KG  
Flachsmarktstr. 8  
32825 Blomberg  
Germany  
Tel. +49 5235 300  
Fax +49 5235 3 41200  
<http://www.phoenixcontact.com>