


SACB- 4/3-L-C-M8

Order No.: 1503412



<http://eshop.phoenixcontact.de/phoenix/treeViewClick.do?UID=1503412>

Sensor/actuator box, M8 socket, Number of slots: 4, Number of positions: 3, Slot assignment: Single, Status indication: Yes, pnp; Master cable connection: Pluggable screw connection 180°, Shielding: No

| Commercial data | |
|--------------------------|--|
| GTIN (EAN) |  4 017918 976408 |
| Note | Made-to-order |
| sales group | D102 |
| Pack | 1 pcs. |
| Customs tariff | 85366990 |
| Catalog page information | Page 179 (PC-2011) |

Product notes

WEEE/RoHS-compliant since:
09/14/2006



<http://www.download.phoenixcontact.com>
Please note that the data given here has been taken from the online catalog. For comprehensive information and data, please refer to the user documentation. The General Terms and Conditions of Use apply to Internet downloads.

| Technical data | |
|--|---------|
| General data | |
| Rated voltage | 24 V DC |
| Max. operating voltage U_{max} | 30 V DC |
| Current carrying capacity per I/O signal | 2 A |

| | |
|------------------------------------|------------------|
| Current carrying capacity per slot | 2 A |
| Total rated current | 8 A |
| Number of positions | 3 |
| Number of slots | 4 |
| Degree of protection | IP65/IP67 |
| Inflammability class acc. to UL 94 | V0 |
| Ambient temperature (operation) | -30 °C ... 80 °C |
| Sensor/actuator connection system | M8 socket |

Local diagnostics function

| | |
|-------------------|-------------------------------|
| Local diagnostics | Supply voltage Green LED |
| | Status display I/O Yellow LED |

Master cable data

| | |
|--|----------------------------|
| Connection method | Pluggable screw connection |
| Conductor cross-section min. (signal) | 0.14 mm ² |
| Conductor cross-section max. (signal) | 1.5 mm ² |
| Conductor cross-section AWG min. (signal) | 26 |
| Conductor cross-section AWG max. (signal) | 16 |
| Conductor cross-section min. (energy) | 0.14 mm ² |
| Conductor cross-section max. (energy) | 1.5 mm ² |
| Conductor cross-section AWG min. (energy) | 26 |
| Conductor cross-section AWG max. (energy) | 16 |
| External cable diameter min. | 7 mm |
| External cable diameter max. | 12 mm |
| Stripping length | 7 mm |
| Tightening torque, cover screw | 1 Nm |
| Tightening torque, union nut | 2.5 Nm |
| Tightening torque slot sensor/actuator cable | 0.2 Nm |
| Tightening torque screw plug | 0.2 Nm |

Insulation material

| | |
|-------------------------------|-------|
| Housing material | PBT |
| Material of the moulding mass | PUR |
| Contact material | CuSn |
| Contact surface material | Ni/Au |
| Contact carrier material | PA |

| | |
|--|---------------|
| Material of contact, master cable side | CU alloy |
| Material of contact surface, master cable side | Gold-plated |
| Material of the contact carrier on the master cable side | PA 66 V0 |
| Material of threaded sleeve | Cu alloy |
| Material of threaded sleeve surface | Nickel-plated |
| Material, O-ring | NBR |

Pin assignment

| | |
|--|-----------------------------------|
| Slot/position = Wire color or connection | 1 / 4 (A) = 1 / 4 |
| | 2 / 4 (A) = 2 / 4 |
| | 3 / 4 (A) = 3 / 4 |
| | 4 / 4 (A) = 4 / 4 |
| | 1-4 / 1 (+ 24 V) = U _N |
| | 1-4 / 3 (0 V) = 0 V |

Certificates / Approvals



Certification CUL, UL

Accessories

| Item | Designation | Description |
|-----------------------|----------------------------|--|
| Connector hood | | |
| 1521229 | SACB-C-H180- 4/3-M8 | Connector hood with an integrated connector, for M8 sensor/ actuator boxes with pluggable screw connection and four slots, single-occupancy |
| General | | |
| 1517576 | SACB- 4X0,34/2X0,75-50 PUR | Master cable for sensor/actuator boxes, without PE conductor, unshielded, material PUR/PVC, 6-pos., 4 x 0.34 mm ² and 2 x 0.75 mm ² , length: 50 m |
| Marking | | |
| 0809984 | ZBF10:SO/CMS | Zack marker strip, flat, in 10 mm pitch, labeled according to customer specifications, 10-section, divisible, color: White |

| | | |
|---------|------------------|--|
| 0809997 | ZBF10:UNBEDRUCKT | Zack marker strip, flat, in 10 mm pitch, unprinted, 10-section, for individual labeling with M-PEN 0,8, X-PEN, or CMS-P1-PLOTTER |
|---------|------------------|--|

Protection and sealing elements

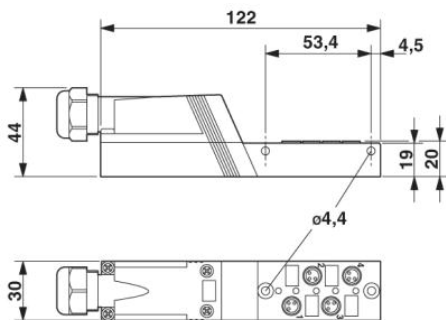
| | | |
|---------|---------|---|
| 1682540 | PROT-M8 | An M8 screw plug for the unoccupied M8 sockets of the sensor/ actuator cable, boxes and flush-type connectors |
|---------|---------|---|

Tools

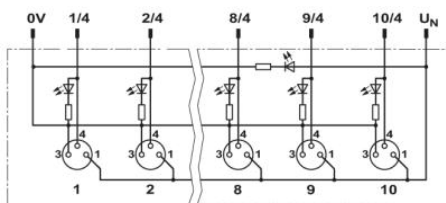
| | | |
|---------|-----------------|--|
| 1208461 | SAC BIT M8-D10 | Nut for assembling sensor/actuator cables with M8 connector and for M8 connectors with QUICKON fast connection technology, for 4 mm hexagonal drive |
| 1208474 | SACC BIT M8-D12 | Nut for assembling SACC M8 connectors for free assembly with longitudinal knurl, excluding M8 connectors with QUICKON fast connection technology, for 4 mm hexagonal drive |
| 1206463 | SZK PZ2 VDE | Screwdriver, PZ crosshead, VDE insulated, size: PZ 2 x 100 mm, 2-component grip, with non-slip grip |
| 1208487 | TSD 02 SAC | Torque screwdriver, with preset torque of 0.2 Nm and 4 mm hexagonal drive for M8 connectors |

Diagrams/Drawings

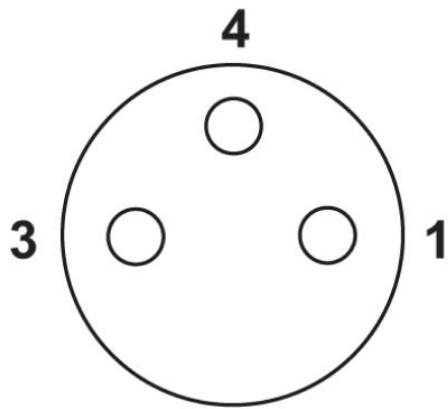
Dimensioned drawing



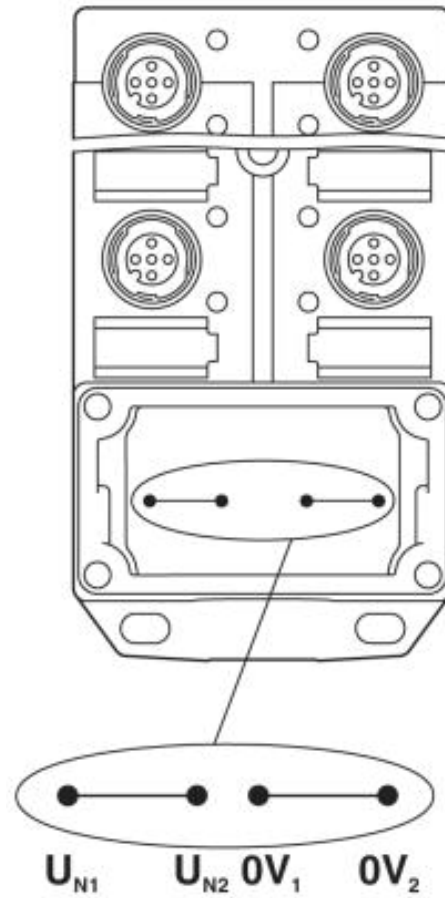
Circuit diagram



Schematic diagram

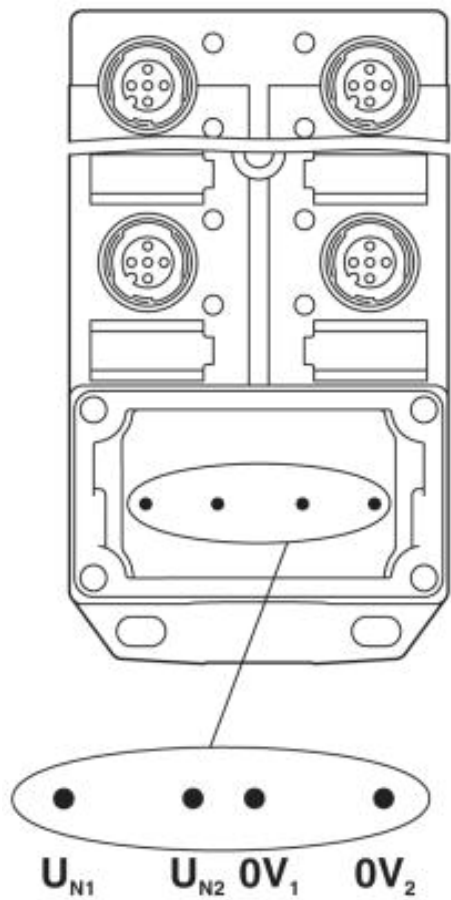


M8 slot, socket, 3-pos.



Potential U_{N1} and U_{N2} bridged

Electrically isolated



Address

PHOENIX CONTACT Inc., USA
586 Fulling Mill Road
Middletown, PA 17057, USA
Phone (800) 888-7388
Fax (717) 944-1625
<http://www.phoenixcon.com>



© 2011 Phoenix Contact
Technical modifications reserved;