

Sensor/actuator box - SACB-6-SH PARA - 1511792

Please be informed that the data shown in this PDF Document is generated from our Online Catalog. Please find the complete data in the user's documentation. Our General Terms of Use for Downloads are valid (<http://phoenixcontact.com/download>)



Sensor/actuator box, connection method: M12 socket Metal, number of slots: 6, number of positions: 5, coding: A - standard, slot assignment: Parallel, status display: No, Universal, shielding: yes

The figure shows a version with 8 slots



Key Commercial Data

Packing unit	1 pc
Minimum order quantity	25 pc
GTIN	
GTIN	4017918908133

Technical data

General

Rated voltage	48 V
	60 V DC
Current carrying capacity per I/O signal	3 A
Current carrying capacity per slot	3 A
Total rated current	3 A
Number of positions	5
Number of slots	6
Flammability rating according to UL 94	V0
Sensor/actuator connection system	M12 socket

Ambient conditions

Degree of protection	IP65
	IP67
Ambient temperature (operation)	-25 °C ... 70 °C

Master cable data/connection data

Sensor/actuator box - SACB-6-SH PARA - 1511792

Technical data

Master cable data/connection data

Tightening torque slot sensor/actuator cable	0.4 Nm
--	--------

Insulation material

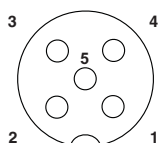
Housing material	Aluminum
Housing surface material	Nickel-plated
Material of the moulding mass	PUR
Contact material	Cu alloy
Contact surface material	gold-plated
Contact carrier material	PA
O-ring material	NBR

Standards and Regulations

Standard designation	M12 connector
Standards/regulations	IEC 61076-2-101
Flammability rating according to UL 94	V0

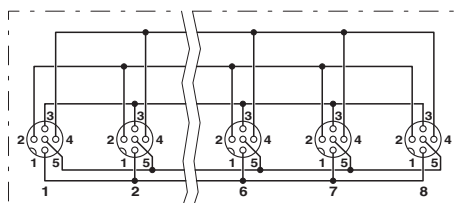
Drawings

Schematic diagram

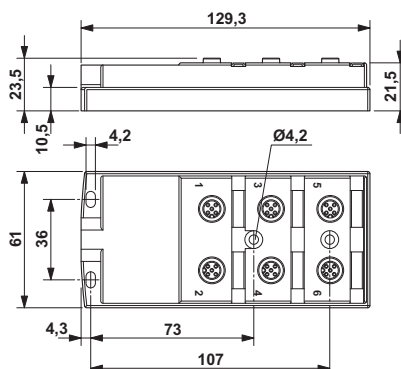


M12 slot, socket, 5-pos.

Circuit diagram



Dimensional drawing



Phoenix Contact 2018 © - all rights reserved
<http://www.phoenixcontact.com>

PHOENIX CONTACT GmbH & Co. KG
Flachmarktstr. 8
32825 Blomberg
Germany
Tel. +49 5235 300
Fax +49 5235 3 41200
<http://www.phoenixcontact.com>