

# SACB-4/ 8-L-10,0HPUR SCO

Order No.: 1517275



<http://eshop.phoenixcontact.de/phoenix/treeViewClick.do?UID=1517275>

Sensor/actuator box, M12-SPEEDCON-socket, Number of slots: 4, Number of positions: 5, Slot assignment: Double, Status indication: Yes, pnp 180°, PUR halogen free, Cable length: 10 m, Shielding: No



## Product notes

WEEE/RoHS-compliant since:  
01/03/2008



Commercial data	
GTIN (EAN)	4017918967949
Note	Made-to-order
sales group	D101
Pack	1 pcs.
Customs tariff	85366990
Weight/Piece	1.475 KG
Catalog page information	Page 116 (PC-2009)

<http://www.download.phoenixcontact.com>  
Please note that the data given here has been taken from the online catalog. For comprehensive information and data, please refer to the user documentation. The General Terms and Conditions of Use apply to Internet downloads.

## Technical data

### General data

Rated voltage	24 V DC
Max. operating voltage $U_{max}$	30 V DC
Current carrying capacity per I/O signal	2 A

Current carrying capacity per slot	4 A
Total rated current	12 A
Number of positions	5
Number of slots	4
Degree of protection	IP65/IP67/IP69K
Inflammability class acc. to UL 94	V0
Ambient temperature (operation)	-30 °C ... 90 °C
Sensor/actuator connection system	M12-SPEEDCON-socket

#### Local diagnostics function

Local diagnostics	Supply voltage Green LED
	Status display I/O Yellow LED

#### Master cable data

Type of connection	Fixed connection
Length of cable	10 m
Cable type	Master cable suitable for flexible cable conduit
Signal line cross section	8x 0.5 mm <sup>2</sup>
AWG signal line	20
Conductor structure signal line	64x 0.10 mm
Power supply cross section	3x 1 mm <sup>2</sup>
AWG power supply	17
Conductor structure, voltage supply	128x 0.10 mm
External diameter	9.4 mm
Max. bending cycles	1500000
Bending radius	100 mm
Traversing path	2 m
Traversing rate	2 m/s
Ambient temperature (operation)	-40 °C ... 90 °C (for fixed installation)
	-5 °C ... 80 °C (for flexible installation)
Tightening torque slot sensor/actuator cable	0.4 Nm
Tightening torque screw plug	0.4 Nm

#### Insulation material

Housing material	PBT
Material of the moulding mass	PUR
Contact material	Cu alloy

Contact surface material	Gold-plated
Contact carrier material	PA
Material of threaded sleeve	Zinc die-cast
Material of threaded sleeve surface	Nickel-plated
Material, O-ring	NBR

**Pin assignment**

Slot/position = Wire color or connection	1 / 4 (A) = WH
	1 / 2 (B) = GY/PK
	2 / 4 (A) = GN
	2 / 2 (B) = RD/BU
	3 / 4 (A) = YE
	3 / 2 (B) = WH/GN
	4 / 4 (A) = GY
	4 / 2 (B) = BN/GN
	1-4 / 1 (+ 24 V) = BN
	1-4 / 3 (0 V) = BU
	1-4 / 5 (PE) = GN/YE

**Certificates / Approvals**



Certification CUL, UL

**CUL**

Nominal voltage $U_N$	24 V
Nominal current $I_N$	3 A

**UL**

Nominal voltage $U_N$	24 V
Nominal current $I_N$	3 A

### Accessories

Item	Designation	Description
------	-------------	-------------

### Marking

0804963	SS-ZB 17,5 WH	Contact marker Zack strip, unprinted: 5-section, for snapping into equipment and components with special marker carrier, can be labeled with M-PEN, CMS system or label BMKT 17.5 x 8, lettering field: 17.5 x 8 mm, color: white
---------	---------------	---

### Protection and sealing elements

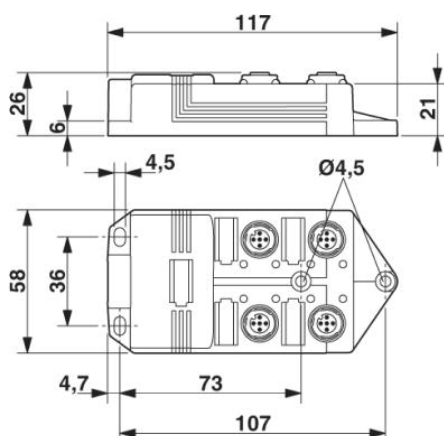
1553129	PROT-MS SCO	M12 screw plug with SPEEDCON quick locking for unoccupied M12 sockets of the sensor/actuator cables, boxes and flush-type connectors
---------	-------------	--

### Tools

1208432	SAC BIT M12-D15	Nut for assembling sensor/actuator cables with M12 connector and for M12 connectors with QUICKON fast connection technology, for 4 mm hexagonal drive
1208445	SACC BIT M12-D20	Nut for assembling SACC M12 connectors for free assembly, excluding M12 connectors with QUICKON fast connection technology, for 4 mm hexagonal drive
1208429	TSD 04 SAC	Torque screwdriver, with preset torque of 0.4 Nm and 4 mm hexagonal drive for M12 connectors

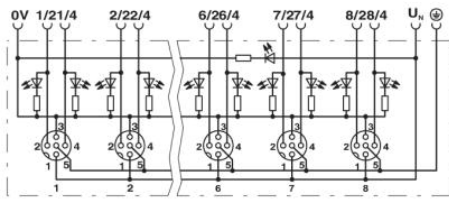
### Diagrams/Drawings

Dimensioned drawing



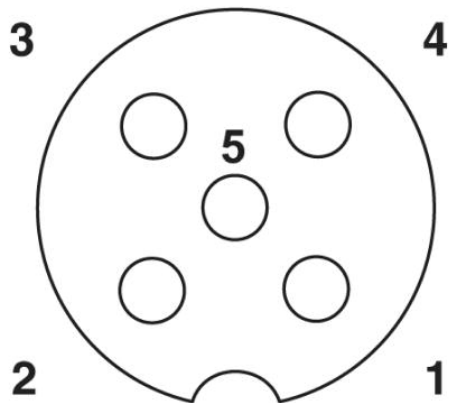
Circuit diagram

---



Schematic diagram

---



M12 slot, socket, 5-pos.

**Address**

PHOENIX CONTACT Inc., USA  
586 Fulling Mill Road  
Middletown, PA 17057, USA  
Phone (800) 888-7388  
Fax (717) 944-1625  
<http://www.phoenixcon.com>



© 2010 Phoenix Contact  
Technical modifications reserved;