

Sensor/actuator box - SACB- 8/4-C QO-0,34 - 1548435

Please be informed that the data shown in this PDF Document is generated from our Online Catalog. Please find the complete data in the user's documentation. Our General Terms of Use for Downloads are valid (<http://phoenixcontact.com/download>)




Sensor/actuator box, application: Standard, connection method: QUICKON, 0.14 mm² ... 0.34 mm², number of slots: 8, number of positions: 4, slot assignment: Double, status display: No, Universal; master cable connection: Pluggable screw connection 180°, shielding: no

Your advantages

- ✓ Safety in the field, thanks to molded housing and high degree of protection
- ✓ Flexible, distributed bundling of signals in one master cable
- ✓ Save space: distributor box with double occupancy for two sensors in one slot
- ✓ Innovative and time-saving assembly with insulation displacement connection
- ✓ Flexible: distributor box with connector hood for on-site assembly

Key Commercial Data

| | |
|--------------|---|
| Packing unit | 1 pc |
| GTIN |  4 046356 142908 |
| GTIN | 4046356142908 |

Technical data

General

| | |
|--|-----------------------------------|
| Rated voltage | 48 V |
| | 60 V DC |
| Current carrying capacity per I/O signal | 2 A |
| Current carrying capacity per slot | 4 A |
| Total rated current | 10 A |
| | 2x 8 A (For electrical isolation) |
| Number of positions | 4 |
| Number of slots | 8 |
| Flammability rating according to UL 94 | V0 |
| Sensor/actuator connection system | QUICKON |

Ambient conditions

Sensor/actuator box - SACB- 8/4-C QO-0,34 - 1548435

Technical data

Ambient conditions

| | |
|---------------------------------|------------------|
| Degree of protection | IP65 |
| | IP67 |
| | IP69K |
| Ambient temperature (operation) | -30 °C ... 80 °C |

Master cable data/connection data

| | |
|--|----------------------------|
| Connection method | Pluggable screw connection |
| Conductor cross section min. (signal) | 0.14 mm ² |
| Conductor cross section max. (signal) | 1.5 mm ² |
| Conductor cross section AWG min. (signal) | 26 |
| Conductor cross section AWG max. (signal) | 16 |
| Stripping length (signal) | 7 mm |
| Conductor cross section min. (energy) | 0.14 mm ² |
| Conductor cross section max. (energy) | 1.5 mm ² |
| Conductor cross section AWG min. (energy) | 26 |
| Conductor cross section AWG max. (energy) | 16 |
| External cable diameter min. | 7 mm |
| External cable diameter max. | 12 mm |
| Stripping length | 50 mm (Master cable) |
| Tightening torque, cover screw | 0.35 Nm |
| Tightening torque, union nut | 2.5 Nm |
| Tightening torque of mounting screw for fixing the housing | 0.5 Nm |

Conductor data

| | |
|---|----------------------|
| Structure of individual litz in acc. with VDE 0295 / smallest wire diameter | Class 2-6 |
| Wire insulation material | PVC/PE/PP |
| Wire diameter including insulation | 0.7 mm ... 1.3 mm |
| Minimum external conductor diameter | 3.5 mm |
| Maximum external conductor diameter | 6 mm |
| Tightening torque, union nut | 2 Nm |
| Wrench size, union nut | 13 mm |
| Conductor cross section flexible min. | 0.14 mm ² |
| Conductor cross section flexible max. | 0.34 mm ² |
| Conductor cross section AWG min. | 26 |
| Conductor cross section AWG max. | 22 |

Insulation material

| | |
|-------------------------------|--------------|
| Housing material | PBT |
| Material of the moulding mass | PUR |
| Contact material | Steel/copper |
| Contact surface material | Sn |
| Contact carrier material | PA 6.6 |

Sensor/actuator box - SACB- 8/4-C QO-0,34 - 1548435

Technical data

Insulation material

| | |
|--|-------------|
| Material of contact, master cable side | CU alloy |
| Material of contact surface, master cable side | Gold-plated |
| Material of the contact carrier on the master cable side | PA 6.6 V0 |

Pin assignment

| | |
|--|-----------------------------------|
| Slot/position = Wire color or connection | 1 / 4 (A) = 1 / 4 |
| | 1 / 2 (B) = 1 / 2 |
| | 2 / 4 (A) = 2 / 4 |
| | 2 / 2 (B) = 2 / 2 |
| | 3 / 4 (A) = 3 / 4 |
| | 3 / 2 (B) = 3 / 2 |
| | 4 / 4 (A) = 4 / 4 |
| | 4 / 2 (B) = 4 / 2 |
| | 5 / 4 (A) = 5 / 4 |
| | 5 / 2 (B) = 5 / 2 |
| | 6 / 4 (A) = 6 / 4 |
| | 6 / 2 (B) = 6 / 2 |
| | 7 / 4 (A) = 7 / 4 |
| | 7 / 2 (B) = 7 / 2 |
| | 8 / 4 (A) = 8 / 4 |
| | 8 / 2 (B) = 8 / 2 |
| | 1-8 / 1 (+ 48 V) = U _N |
| | 1-8 / 3 (0 V) = 0 V |

Standards and Regulations

| | |
|--|-----|
| Connection in acc. with standard | CUL |
| Flammability rating according to UL 94 | V0 |

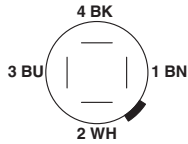
Environmental Product Compliance

| | |
|------------|---|
| REACH SVHC | Lead 7439-92-1 |
| China RoHS | Environmentally Friendly Use Period = 50 |
| | For details about hazardous substances go to tab "Downloads", Category "Manufacturer's declaration" |

Drawings

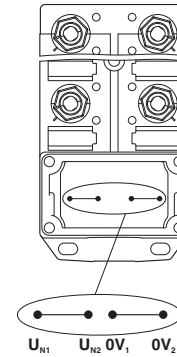
Sensor/actuator box - SACB- 8/4-C QO-0,34 - 1548435

Schematic diagram



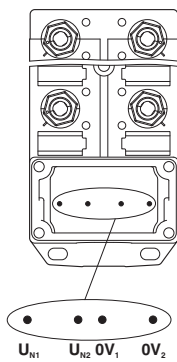
QUICKON connection, 4-pos.

Schematic diagram



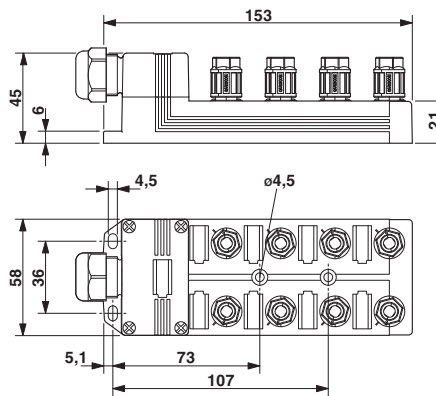
Potential U_{N1} and U_{N2} bridged. Potential assignment: $U_{N1} = U_{N2} =$ slots 1,2,3,4,5,6,7,8.

Schematic diagram

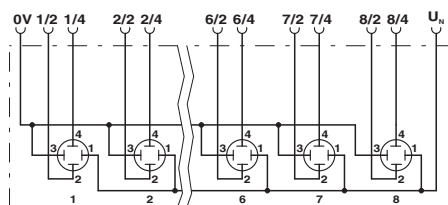


Electrically isolated. Potential assignment: $U_{N1} =$ slots 1,3,5,7 and $U_{N2} =$ slots 2,4,6,8.

Dimensional drawing

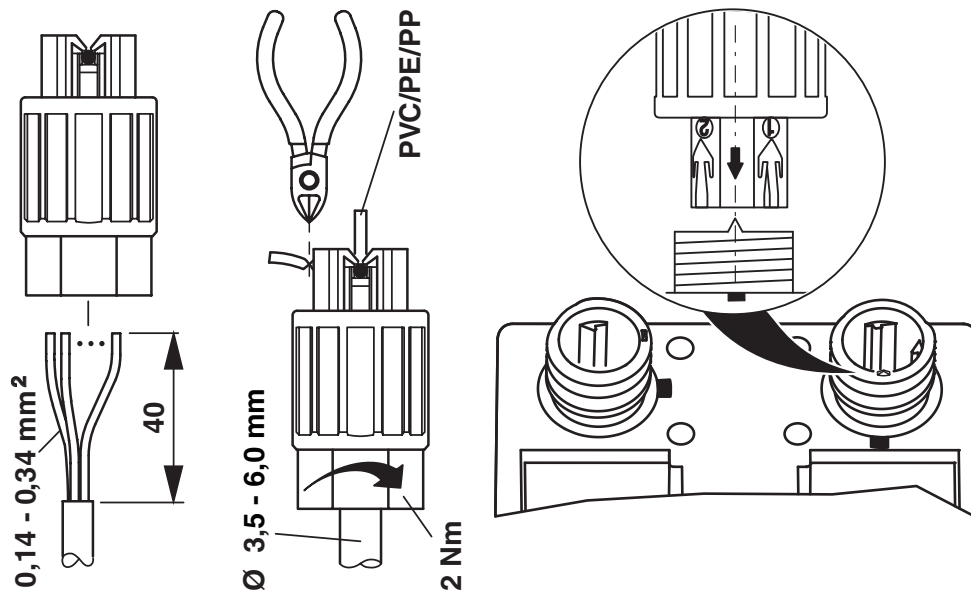


Circuit diagram



Sensor/actuator box - SACB- 8/4-C QO-0,34 - 1548435

Functional drawing



Approvals

Approvals

Approvals

UL Recognized / cUL Recognized / EAC / cULus Recognized

Ex Approvals

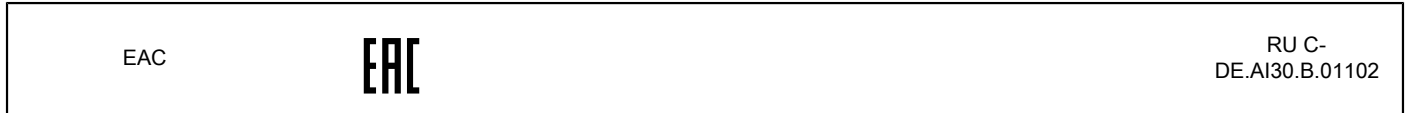
Approval details

| | | | |
|--------------------|--|---|---------------|
| UL Recognized | | http://database.ul.com/cgi-bin/XYV/template/LISEXT/1FRAME/index.htm | FILE E 118976 |
| Nominal voltage UN | | 48 V | |

| | | | |
|--------------------|--|---|---------------|
| cUL Recognized | | http://database.ul.com/cgi-bin/XYV/template/LISEXT/1FRAME/index.htm | FILE E 118976 |
| Nominal voltage UN | | 48 V | |

Sensor/actuator box - SACB- 8/4-C QO-0,34 - 1548435

Approvals



Phoenix Contact 2018 © - all rights reserved
<http://www.phoenixcontact.com>

PHOENIX CONTACT GmbH & Co. KG
Flachsmarktstr. 8
32825 Blomberg
Germany
Tel. +49 5235 300
Fax +49 5235 3 41200
<http://www.phoenixcontact.com>