


SACC-M12FR-4CON-PG 7-VA

Order No.: 1553284

<http://eshop.phoenixcontact.de/phoenix/treeViewClick.do?UID=1553284>

Sensor/actuator connector, female, angled, 4-pos., M12, screw connection, high-grade steel knurl, cable screw connection PG7

Commercial data

| | |
|--------------------------|---|
| GTIN (EAN) |  4 046356 170208 |
| sales group | D121 |
| Pack | 1 pcs. |
| Customs tariff | 85366990 |
| Catalog page information | Page 211 (PC-2011) |

Product notes

WEEE/RoHS-compliant since:
11/10/2006



<http://www.download.phoenixcontact.com>
Please note that the data given here has been taken from the online catalog. For comprehensive information and data, please refer to the user documentation. The General Terms and Conditions of Use apply to Internet downloads.

Technical data

General data

| | |
|-----------------------|----------|
| Rated current at 40°C | 4 A |
| Rated voltage | 30 V |
| Number of positions | 4 |
| Volume resistance | ≤ 3 mΩ |
| Insulation resistance | ≥ 100 MΩ |

| | |
|--|------------------------------|
| Ambient temperature (operation) | -40 °C ... 85 °C |
| General characteristics | |
| Standards/regulations | M8 connector IEC 61076-2-104 |
| Coding | A - standard |
| Surge voltage category | II |
| Pollution degree | 3 |
| Degree of protection | IP67 |
| Contact material | CuZn |
| Contact surface material | Au |
| Contact carrier material | PUR / PA66 |
| Material of grip body | PBT |
| Material, knurls | Nickel-plated brass |
| Sealing material | NBR |
| Connection method | Solder cup |
| Conductor cross section stranded min. | 0.08 mm ² |
| Conductor cross section stranded max. | 0.34 mm ² |
| Conductor cross section AWG/kcmil min. | 28 |
| Conductor cross section AWG/kcmil max | 22 |
| External cable diameter | 3.5 mm ... 5 mm |
| Status display | No |

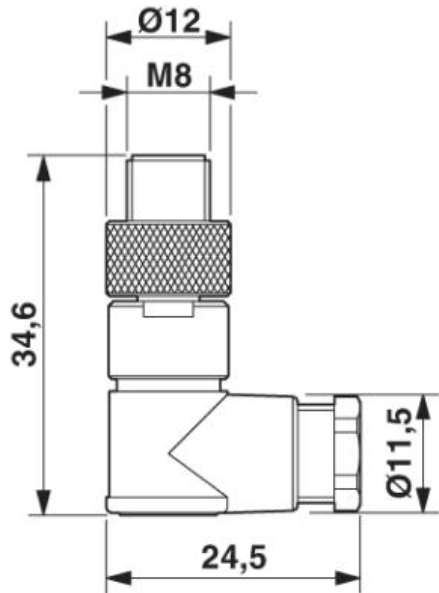
Accessories

| Item | Designation | Description |
|----------------|----------------------|--|
| General | | |
| 1436945 | SACC-M 8-SET/2,2-3,5 | Sensor/actuator connector, accessories, pressure screw and seal, for unshielded M8 connector, cable diameter 2.2 mm - 3.5 mm |

Diagrams/Drawings

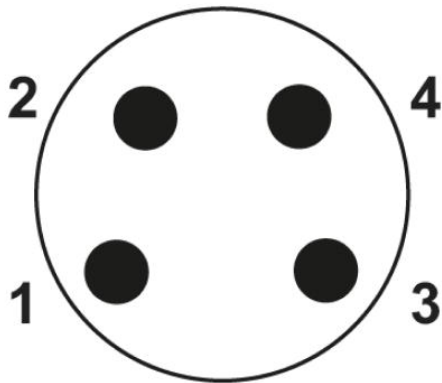
Dimensioned drawing

M8 x 1 male connector, angled version



Schematic diagram

Pin assignment M8 plug, 4-pos., view male side



Address

PHOENIX CONTACT Deutschland GmbH
Flachmarktstr. 8
32825 Blomberg, Germany
Phone +49 5235 3 12000
Fax +49 5235 3 41200
<http://www.phoenixcontact.de>



© 2011 Phoenix Contact
Technical modifications reserved;