


**SACB-8/ 8-L- 5,0PUR M23FS BK**

Order No.: 1572375

as in the figure, however, with a black housing

<http://eshop.phoenixcontact.de/phoenix/treeViewClick.do?UID=1572375>

Sensor/actuator box, Number of slots: 8, Number of positions: 4,  
Slot assignment: Single, Status indication: Yes, pnp; Master cable  
connection: Fixed connection 180°, PUR/PVC, Cable length: 5 m,  
Shielding: No

Commercial data	
GTIN (EAN)	 4 046356 438001
Note	Made-to-order
sales group	D101
Pack	1 pcs.
Customs tariff	85366990

## Product notes

WEEE/RoHS-compliant since:  
07/30/2008

<http://www.download.phoenixcontact.com>  
Please note that the data given here has been taken from the online catalog. For comprehensive information and data, please refer to the user documentation. The General Terms and Conditions of Use apply to Internet downloads.

**Accessories**

Item	Designation	Description
------	-------------	-------------

**Marking**

0804963	SS-ZB 17,5 WH	Contact marker Zack strip, unprinted: 5-section, for snapping into equipment and components with special marker carrier, can be labeled with M-PEN, CMS system or label BMKT 17.5 x 8, lettering field: 17.5 x 8 mm, color: white
---------	---------------	-----------------------------------------------------------------------------------------------------------------------------------------------------------------------------------------------------------------------------------

**Protection and sealing elements**

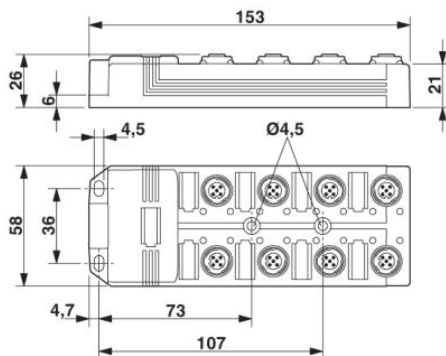
1553129	PROT-MS SCO	M12 screw plug with SPEEDCON quick locking for unoccupied M12 sockets of the sensor/actuator cables, boxes and flush-type connectors
---------	-------------	--------------------------------------------------------------------------------------------------------------------------------------

**Tools**

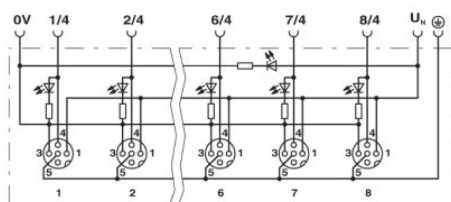
1208432	SAC BIT M12-D15	Nut for assembling sensor/actuator cables with M12 connector and for M12 connectors with QUICKON fast connection technology, for 4 mm hexagonal drive
1208445	SACC BIT M12-D20	Nut for assembling SACC M12 connectors for free assembly, excluding M12 connectors with QUICKON fast connection technology, for 4 mm hexagonal drive
1208429	TSD 04 SAC	Torque screwdriver, with preset torque of 0.4 Nm and 4 mm hexagonal drive for M12 connectors

**Diagrams/Drawings**

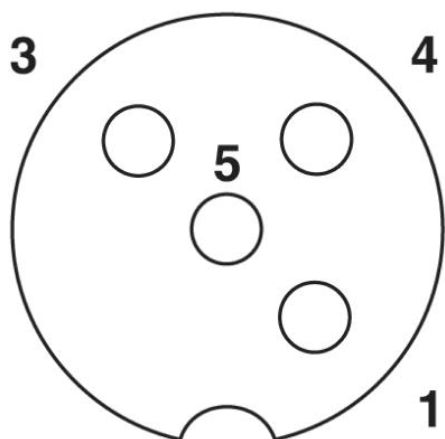
Dimensioned drawing



Circuit diagram



Schematic diagram



M12 slot, socket, 4-pos.

**Address**

PHOENIX CONTACT Inc., USA  
586 Fulling Mill Road  
Middletown, PA 17057, USA  
Phone (800) 888-7388  
Fax (717) 944-1625  
<http://www.phoenixcon.com>



© 2012 Phoenix Contact  
Technical modifications reserved;