

VS-P1214-P1214-C1000/ 2,0


Order No.: 1608786



<http://eshop.phoenixcontact.de/phoenix/treeViewClick.do?UID=1608786>

Assembled PROFINET-FO cable, round cable, polymer fiber 980/1000 µm, SCRJ/IP67 push-pull plastic housing on SCRJ/IP67, for installation inside buildings, the conductor is suitable for the UV-protected outside insert, length: 2 m

PROFINET

Commercial data	
GTIN (EAN)	
Note	Made-to-order
sales group	D523
Pack	1 pcs.
Customs tariff	85447000
Catalog page information	Page 244 (PC-2009)

Product notes

WEEE/RoHS-compliant since:
09/28/2006



<http://www.download.phoenixcontact.com>
Please note that the data given here has been taken from the online catalog. For comprehensive information and data, please refer to the user documentation. The General Terms and Conditions of Use apply to Internet downloads.

Technical data	
Mechanical characteristics	
Number of positions	2
Connection profile	SCRJ in acc. with IEC 61754-24
Locking type	Push Pull

Fiber type	Polymer Fiber
Fiber	980/1000 µm
Ferrule diameter	2.50 mm
Number of fibers	2
Insertion/withdrawal cycles	≥ 500
External cable diameter	7.5 mm
Type of cable	Round cable
Length of cable	2 m
Ambient temperature (operation)	-30 °C ... 70 °C (cable, fixed installation) -20 °C ... 60 °C (cable, flexible installation)
	(Male connector / female connector)

Material data

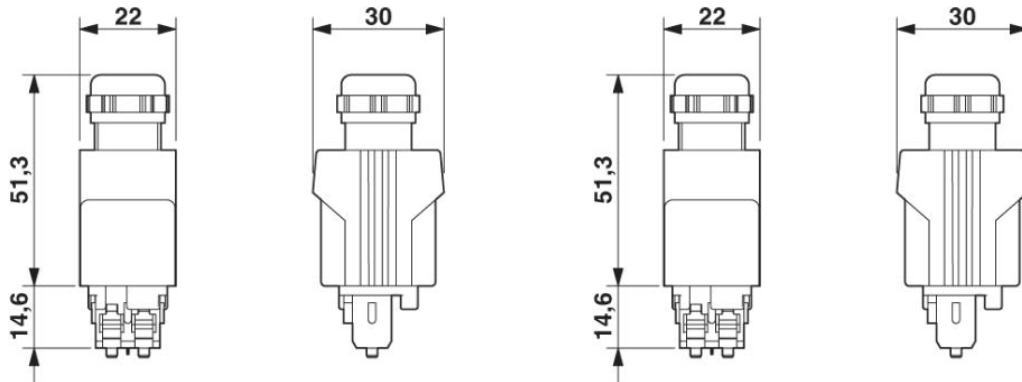
Housing material	PA-GF
Material, O-ring	NBR
Cable seal material	TPE
Material, housing intermediate seal	NBR
Outer sheath, material	LSFH
External sheath, color	green-yellow RAL 6018
Ferrule material	Copper alloy
Ferrule holder color	Blue
Degree of protection	IP65/67

Optical characteristics

Attenuation	≤ 1.8 dB (With 660 nm)
-------------	------------------------

Diagrams/Drawings

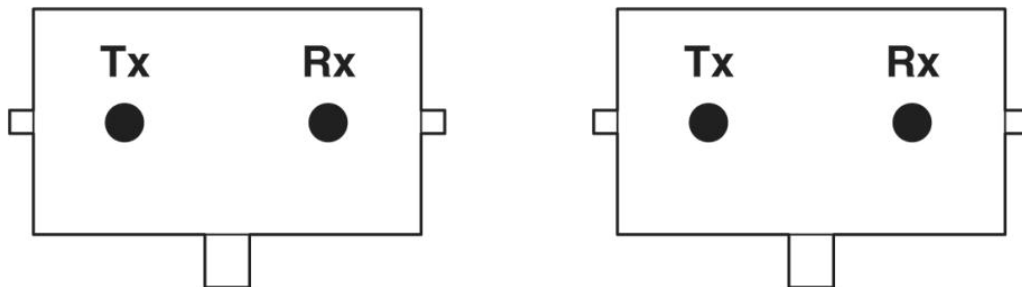
Dimensioned drawing



SCRJ Push-Pull connector, IP67

SCRJ Push-Pull connector, IP67

Schematic diagram



Pin assignment plug SCRJ

Pin assignment plug SCRJ

Address

PHOENIX CONTACT Inc., USA
586 Fulling Mill Road
Middletown, PA 17057, USA
Phone (800) 888-7388
Fax (717) 944-1625
<http://www.phoenixcon.com>



© 2011 Phoenix Contact
Technical modifications reserved;