

**VS-P1212-P1212-C1001/ 2,0**

Order No.: 1608867

<http://eshop.phoenixcontact.de/phoenix/treeViewClick.do?UID=1608867>

Assembled PROFINET-fiber optic cable, round cable, HCS fiber  
200/230 µm, SCRJ/IP67 push-pull metal housing on SCRJ/IP67 push-  
pull metal housing, for installation inside buildings, length: 2 m



[http://  
www.download.phoenixcontact.com](http://www.download.phoenixcontact.com)  
Please note that the data given  
here has been taken from the  
online catalog. For comprehensive  
information and data, please refer  
to the user documentation. The  
General Terms and Conditions of  
Use apply to Internet downloads.

**Commercial data**

EAN	4046356161398
Pack	1 Pcs.
Customs tariff	85369010
Weight/Piece	0.22222 KG
Catalog page information	Page 215 (PC-2007)

**Technical data****Mechanical characteristics**

Number of positions	2
Connection profile	SCRJ in acc. with IEC 61754-24
Locking type	Push Pull
Fiber type	HCS fiber
Fiber	200/230 µm
Ferrule diameter	2.50 mm
Number of fibers	2
Insertion/withdrawal cycles	≥ 500
External cable diameter	7.5 mm

Cable diameter	7.50 mm
Type of cable	Round cable
Length of cable	2 m
Color	Nickel-plated
Ambient temperature (operation)	-30 °C ... 70 °C

**Material data**

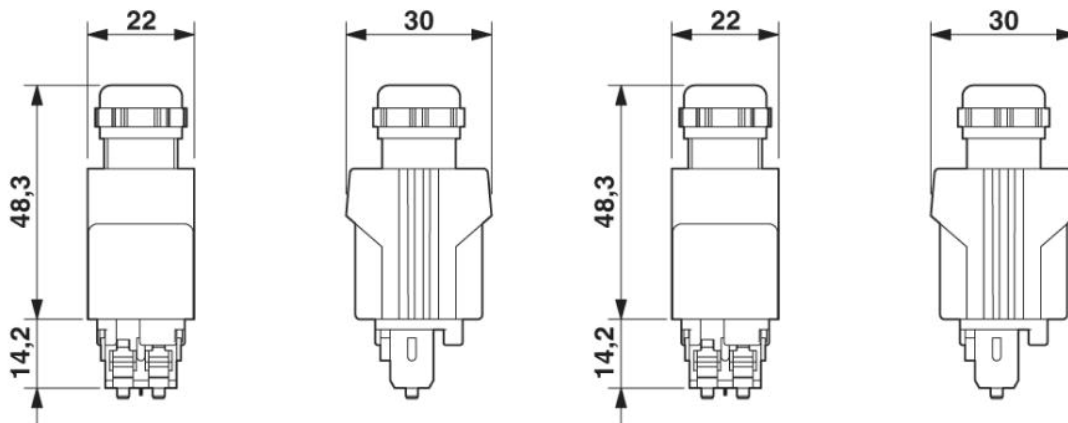
Housing material	Zinc die-cast
Housing surface material	Nickel-plated
Material, O-ring	NBR
Cable seal material	TPE
Material, housing intermediate seal	NBR
Outer sheath, material	LSFH
External sheath, color	green-yellow RAL 6018
Ferrule material	Copper alloy
Ferrule holder color	Red
Degree of protection	IP65/IP67

**Electrical characteristics**

Number of positions	2
---------------------	---

**Drawings**

Dimensioned drawing



**Address**

PHOENIX CONTACT GmbH & Co. KG  
Flachmarktstr. 8  
32825 Blomberg, Germany  
Phone +49 5235 3 00  
Fax +49 5235 3 41200  
<http://www.phoenixcontact.de>



© 2008 Phoenix Contact  
Technical modifications reserved;