

VC-M-KV-PG21/M32 ST

Order No.: 1644397

<http://eshop.phoenixcontact.de/phoenix/treeViewClick.do?UID=1644397>Cable screw connection supports for Pg21 half screw connection to
M32 housing entry, metal

Commercial data	
GTIN (EAN)	4017918904715
sales group	D290
Pack	10 pcs.
Customs tariff	85369010
Weight/Piece	0.06013 KG
Catalog page information	Page 373 (PC-2009)

Product notes

WEEE/RoHS-compliant since:
06/20/2006

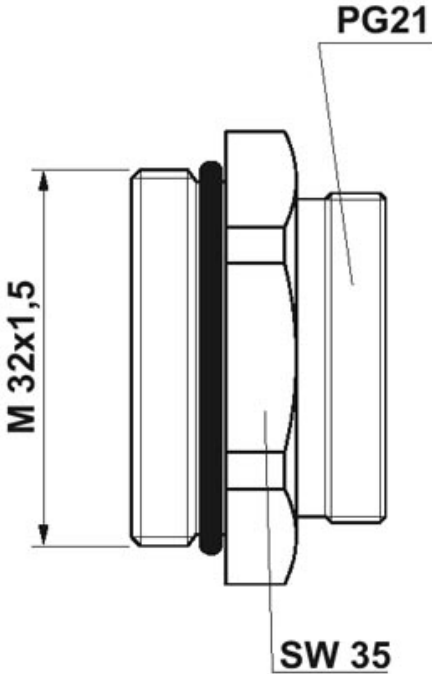
<http://www.download.phoenixcontact.com>
Please note that the data given here has been taken from the online catalog. For comprehensive information and data, please refer to the user documentation. The General Terms and Conditions of Use apply to Internet downloads.

Technical data

General data	
Material	Brass, nickel-plated
Material, O-ring	NBR
Wrench size, union nut	30 mm

Diagrams/Drawings

Dimensioned drawing



Address

PHOENIX CONTACT Inc., USA
586 Fulling Mill Road
Middletown, PA 17057, USA
Phone (800) 888-7388
Fax (717) 944-1625
<http://www.phoenixcon.com>



© 2010 Phoenix Contact
Technical modifications reserved;