

# D-SUB contact support - VS-25-BU-DSUB-HD-CD-B - 1655247

Please be informed that the data shown in this PDF Document is generated from our Online Catalog. Please find the complete data in the user's documentation. Our General Terms of Use for Downloads are valid (<http://phoenixcontact.com/download>)

D-SUB contact carrier, shell size 3, for 44 signal contacts, type of contact socket, for crimp contacts, straight, fixing with a 3 mm hole, for panel mounting frame and sleeve housing VS-25-...



## Key Commercial Data

Packing unit	10 STK
GTIN	
GTIN	4046356029186

## Technical data

### Mechanical characteristics

Number of positions	44
Connection profile	25-pos. D-SUB
Insertion/withdrawal cycles	≥ 500
Connection method	Crimp connection
Mounting type	Hole
Type	25
Size of housing	3

### Ambient conditions

Ambient temperature (operation)	-55 °C ... 115 °C
---------------------------------	-------------------

### Material data

Flammability rating according to UL 94	V0
Housing material	Steel, tin-plated
Contact carrier material	Glass-fiber reinforced thermoplastics, UL 94 V0

### Electrical characteristics

Number of positions	44
Rated current	3 A (at 20 °C)

# D-SUB contact support - VS-25-BU-DSUB-HD-CD-B - 1655247

## Technical data

### Electrical characteristics

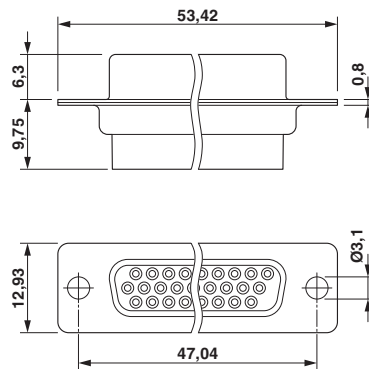
Overvoltage category	III
Degree of pollution	2
Rated voltage (III/3)	60 V
Test voltage	1000 V

### Standards and Regulations

Flammability rating according to UL 94	V0
--	----

## Drawings

Dimensional drawing



D-SUB contact carrier

## Approvals

Approvals

---

Approvals

EAC

---

Ex Approvals

---

Approval details

EAC		B.01742
-----	--	---------

Phoenix Contact 2018 © - all rights reserved  
<http://www.phoenixcontact.com>

PHOENIX CONTACT GmbH & Co. KG  
Flachsmarktstr. 8  
32825 Blomberg  
Germany  
Tel. +49 5235 300  
Fax +49 5235 3 41200  
<http://www.phoenixcontact.com>