

Please note that the data given here has been taken from the online catalog. For comprehensive information and data, please refer to the user documentation at <http://www.download.phoenixcontact.com>. The General Terms and Conditions of Use apply to Internet downloads.

## ► Extract from the online catalog



Plug component, nominal current: 12 A, rated voltage: 250 V, pitch: 5.0 mm, no. of positions: 2, type of connection: Screw connection

The illustration shows a 15-position version

Order No.	1754449
Ord designation	MSTB 2,5/ 2-ST
EAN	4017918028619
Pack	50 Pcs.
Customs tariff	85369010
Catalog page information	Page 126 (CC-2005)

## ► Technical data

### Dimensions / positions

Pitch	5 mm
Dimension a	5 mm
Number of positions	2
Screw thread	M 3
Tightening torque, min	0.5 Nm

---

**Technical data**

Insulating material group	I
Rated surge voltage (III/3)	4 kV
Rated surge voltage (III/2)	4 kV
Rated surge voltage (II/2)	4 kV
Rated voltage (III/2)	320 V
Rated voltage (II/2)	630 V
Connection in acc. with standard	EN-VDE
Nominal current $I_N$	12 A
Nominal voltage $U_N$	250 V
Nominal cross section	2.5 mm <sup>2</sup>
Maximum load current	12 A (with 2.5 mm <sup>2</sup> conductor cross section)
Insulating material	PA
Inflammability class acc. to UL 94	V0
Internal cylindrical gage	A3
Stripping length	7 mm

---

**Connection data**

Conductor cross section, rigid min.	0.2 mm <sup>2</sup>
Conductor cross section, rigid max.	2.5 mm <sup>2</sup>
Conductor cross section flexible min.	0.2 mm <sup>2</sup>
Conductor cross section, flexible max.	2.5 mm <sup>2</sup>
Conductor cross section flexible, with ferrule without plastic sleeve min.	0.25 mm <sup>2</sup>
Conductor cross section flexible, with ferrule without plastic sleeve max.	2.5 mm <sup>2</sup>
Conductor cross section flexible, with ferrule with plastic sleeve min.	0.25 mm <sup>2</sup>
Conductor cross section flexible, with ferrule with plastic sleeve max.	2.5 mm <sup>2</sup>
Conductor cross section AWG/kcmil min.	24
Conductor cross section AWG/kcmil max	12
2 conductors with same cross section, solid min.	0.2 mm <sup>2</sup>
2 conductors with same cross section, solid max.	1 mm <sup>2</sup>
2 conductors with same cross section, flexible, min.	0.2 mm <sup>2</sup>
2 conductors with same cross section, flexible max.	1.5 mm <sup>2</sup>
2 conductors with same cross section, flexible, ferrules without plastic sleeve min.	0.25 mm <sup>2</sup>
2 conductors with same cross section, flexible, ferrules without plastic sleeve, max.	1 mm <sup>2</sup>
2 conductors with same cross section, flexible, TWIN ferrules with plastic sleeve, min.	0.5 mm <sup>2</sup>
2 conductors with identical cross section, flexible TWIN ferrules with plastic sleeve, max.	1.5 mm <sup>2</sup>

---

## ► Certificates

---

### Certificate logos



#### UL

Nominal voltage $U_N$	300 V
Nominal current $I_N$	10 A
AWG/kcmil	30-12

---

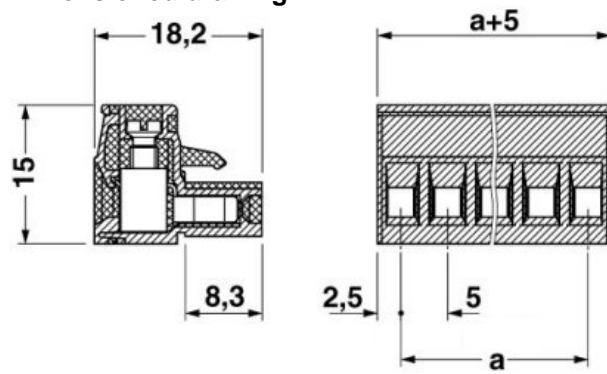
#### CSA

Nominal voltage $U_N$	300 V
Nominal current $I_N$	10 A
AWG/kcmil	28-12

---

## ► Drawings

### Dimensioned drawing



---

**► Accessories**

---

Item	Designation	Description
<b>General</b>		
1733169	EBP 2- 5	Insertion bridge, fully insulated, for plug connectors with 5.0 or 5.08 mm pitch, no. of positions: 2
1803934	KGG-MSTB 2,5/ 2	Cable housing, for cable diameters of 4 - 6 mm, clamp and marker strips are included, color: green, no. of positions: 2
<b>Marking</b>		
0804183	SK 5/3,8:FORTL.ZAHLEN	Marker card, printed horizontally, self-adhesive, 12 identical decades marked 1-10, 11-20 etc. up to 91-(99)100, sufficient for 120 terminal blocks
<b>Plug/Adapter</b>		
1734634	CP-MSTB	Coding section, is inserted into the slot on the plug or inverted header, red insulating material
<b>Tools</b>		
1205053	SZS 0,6X3,5	Screwdriver, bladed, matches all screw terminal blocks up to 4.0 mm <sup>2</sup> connection cross section, blade: 0.6 x 3.5 mm, without VDE approval

---

## ► Additional products

Item	Designation	Description
<b>General</b>		
0707109	DFK-MSTB 2,5/ 2-G	Header, nominal current: 12 A, rated voltage: 320 V, pitch: 5.0 mm, no. of positions: 2, mounting: Direct mounting
1899841	EMSTBA 2,5/ 2-G	Header, nominal current: 12 A, rated voltage: 250 V, pitch: 5.0 mm, no. of positions: 2, mounting: Press in
1914852	EMSTBVA 2,5/ 2-G	Header, nominal current: 12 A, rated voltage: 200 V, pitch: 5.0 mm, no. of positions: 2, mounting: press in
1762046	MDSTB 2,5/ 2-G	Header, nominal current: 10 A, rated voltage: 320 V, pitch: 5.0 mm, no. of positions: 2, mounting: Soldering
1846519	MDSTBA 2,5/ 2-G	Header, nominal current: 10 A, rated voltage: 320 V, pitch: 5.0 mm, no. of positions: 2, mounting: Soldering
1763032	MDSTBV 2,5/ 2-G	Header, nominal current: 10 A, rated voltage: 320 V, pitch: 5.0 mm, no. of positions: 2, mounting: Soldering
1845785	MDSTBVA 2,5/ 2-G	Header, nominal current: 10 A, rated voltage: 320 V, pitch: 5.0 mm, no. of positions: 2, mounting: Soldering
1802443	MDSTBW 2,5/ 2-G	Header, nominal current: 10 A, rated voltage: 250 V, pitch: 5.0 mm, no. of positions: 2, mounting: Soldering
1754436	MSTB 2,5/ 2-G	Header, nominal current: 12 A, rated voltage: 250 V, pitch: 5.0 mm, no. of positions: 2, mounting: Soldering
1768189	MSTB 2,5/ 2-G-LA	Header, nominal current: 12 A, rated voltage: 250 V, pitch: 5.0 mm, no. of positions: 2, mounting: Soldering
1757475	MSTBA 2,5/ 2-G	Header, nominal current: 12 A, rated voltage: 250 V, pitch: 5.0 mm, no. of positions: 2, mounting: Soldering
1770481	MSTBA 2,5/ 2-G-LA	Header, nominal current: 12 A, rated voltage: 250 V, pitch: 5.0 mm, no. of positions: 2, mounting: Soldering
1753437	MSTBV 2,5/ 2-G	Header, nominal current: 12 A, rated voltage: 250 V, pitch: 5.0 mm, no. of positions: 2, mounting: Soldering
1755516	MSTBVA 2,5/ 2-G	Header, nominal current: 12 A, rated voltage: 250 V, pitch: 5.0 mm, no. of positions: 2, mounting: Soldering
1736111	MSTBW 2,5/ 2-G	Header, nominal current: 12 A, rated voltage: 250 V, pitch: 5.0 mm, no. of positions: 2, mounting: Soldering
1769230	SMSTB 2,5/ 2-G	Header, nominal current: 12 A, rated voltage: 250 V, pitch: 5.0 mm, no. of positions: 2, mounting: Soldering
1769803	SMSTBA 2,5/ 2-G	Header, nominal current: 12 A, rated voltage: 250 V, pitch: 5.0 mm, no. of positions: 2, mounting: Soldering

---

► **Address**

---

PHOENIX CONTACT Inc., USA  
586 Fulling Mill Road  
Middletown, PA 17057  
USA  
Phone (800) 888-7388  
Fax (717) 944-1625  
<http://www.phoenixcon.com>  
Phoenix Contact  
Technical modifications reserved;