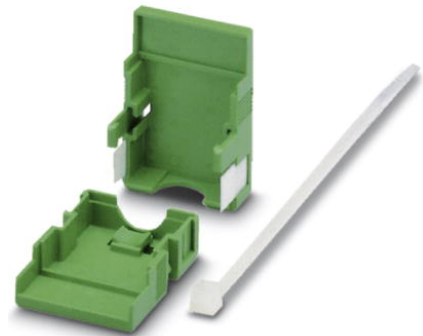



KGG-MC 1,5/ 2

Order No.: 1834343



<http://catalog.phoenixcontact.net/phoenix/treeViewClick.do?UID=1834343>

Cable housing, Pitch: 0 mm, Number of positions: 2, Dimension a: 10.01 mm, Color: green

| Commercial data | |
|--------------------------|---|
| EAN |  4 017918 051860 |
| Pack | 10 Pcs. |
| Customs tariff | 85472000 |
| Product key | AAAEHA |
| Catalog page information | Page 228 (CC-2011) |

Product notes

WEEE/RoHS-compliant since: 01/01/2003



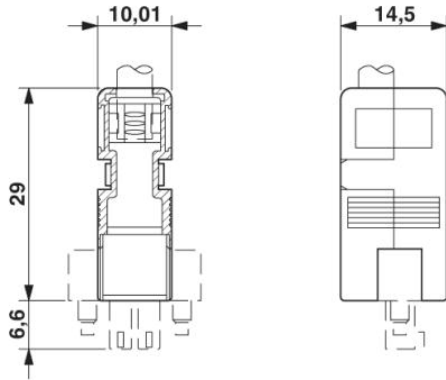
<http://www.download.phoenixcontact.com>
 Please note that the data given here has been taken from the online catalog. For comprehensive information and data, please refer to the user documentation. The General Terms and Conditions of Use apply to Internet downloads.

Accessories

| Item | Designation | Description |
|----------------|------------------|--|
| Marking | | |
| 1007248 | SBS10:UNBEDRUCKT | Marker cards, Card, white, Unlabeled, Can be labeled with: Plotter, Mounting type: Snap into tall marker groove, Snap into flat marker groove, For terminal block width: 10 mm |

Drawings

Dimensioned drawing



Address

PHOENIX CONTACT Inc., USA
586 Fulling Mill Road
Middletown, PA 17057, USA
Phone (800) 888-7388
Fax (717) 944-1625
<http://www.phoenixcon.com>



© 2012 Phoenix Contact
Technical modifications reserved;