


VC-AR1/2M

Order No.: 1852972

<http://eshop.phoenixcontact.de/phoenix/treeViewClick.do?UID=1852972>Panel mounting frame, without PE, for contact insert modules, type 1,
number of insert modules 2**Commercial data**

GTIN (EAN)	 4 017918 133733
sales group	D200
Pack	5 pcs.
Customs tariff	85389099
Catalog page information	Page 455 (PC-2011)

Product notesWEEE/RoHS-compliant since:
01/01/2005

<http://www.download.phoenixcontact.com>
Please note that the data given here has been taken from the online catalog. For comprehensive information and data, please refer to the user documentation. The General Terms and Conditions of Use apply to Internet downloads.

Technical data**General data**

Note	2 x 1852862 VC-AF for each connector
Ambient temperature (operation)	-40 °C ... 125 °C
Design	VC1

Material data

Inflammability class acc. to UL 94	V0
------------------------------------	----

Certificates / Approvals



Certification

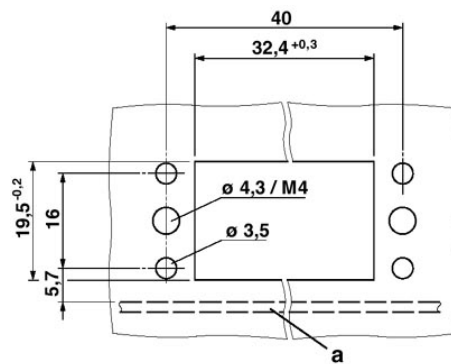
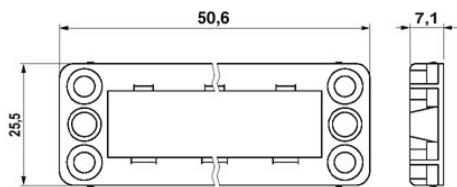
CUL, GOST, UL

Accessories

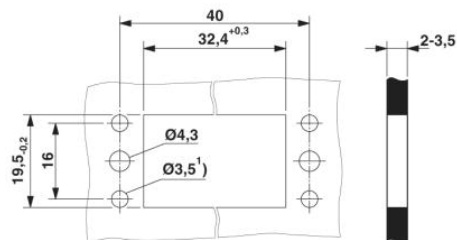
Item	Designation	Description
1852862	VC-AF	Panel mounting flange for screw locking, for mounting contact insert modules, for a panel thickness of 1 - 5 mm

Diagrams/Drawings

Dimensioned drawing



a - PCB



Address

PHOENIX CONTACT Deutschland GmbH
Flachmarktstr. 8
32825 Blomberg, Germany
Phone +49 5235 3 12000
Fax +49 5235 3 41200
<http://www.phoenixcontact.de>



© 2011 Phoenix Contact
Technical modifications reserved;