

VC-M-KV-PG16 2X6/1X7


Order No.: 1885512

The illustration shows a version of the product

<http://eshop.phoenixcontact.de/phoenix/treeViewClick.do?UID=1885512>

Multiple screw connection Pg16, made of metal, consisting of rubber seal with several holes (2 x 6 mm/1 x 7 mm) and a pressure screw, for cable screw connection support VC-M-KV-PG16.....

Commercial data

GTIN (EAN)	 4 017918 176617
Note	Made-to-order
sales group	D290
Pack	5 pcs.
Customs tariff	74153300
Catalog page information	Page 594 (PC-2011)

Product notes

WEEE/RoHS-compliant since:
11/26/2008

<http://www.download.phoenixcontact.com>
Please note that the data given here has been taken from the online catalog. For comprehensive information and data, please refer to the user documentation. The General Terms and Conditions of Use apply to Internet downloads.

Technical data

General data

Material, pressure screw	Nickel-plated brass
Seal material	TPE
Cable seal material	TPE

Wrench size, union nut	24 mm
Thread type on seal side	PG16
External cable diameter	5.5 mm ... 6 mm (Cable 1)
	5.5 mm ... 6 mm (Cable 2)
	6.5 mm ... 7 mm (Cable 3)
Degree of protection	IP65
Ambient temperature (operation)	-40 °C ... 125 °C

Certificates / Approvals



Certification GOST

Accessories

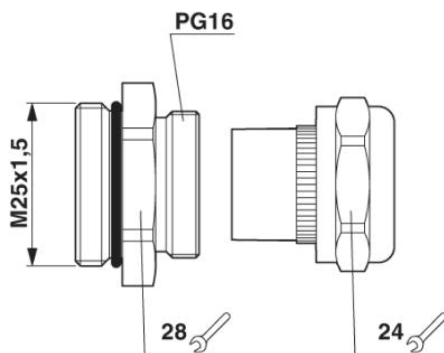
Item	Designation	Description
------	-------------	-------------

Assembly

1854983	VC-M-KV-PG21- 0	Half screw connection made of metal with rubber seal without hole for sealing or for individual holes
---------	-----------------	---

Diagrams/Drawings

Dimensioned drawing



Address

PHOENIX CONTACT Deutschland GmbH
Flachmarktstr. 8
32825 Blomberg, Germany
Phone +49 5235 3 12000
Fax +49 5235 3 41200
<http://www.phoenixcontact.de>



© 2011 Phoenix Contact
Technical modifications reserved;