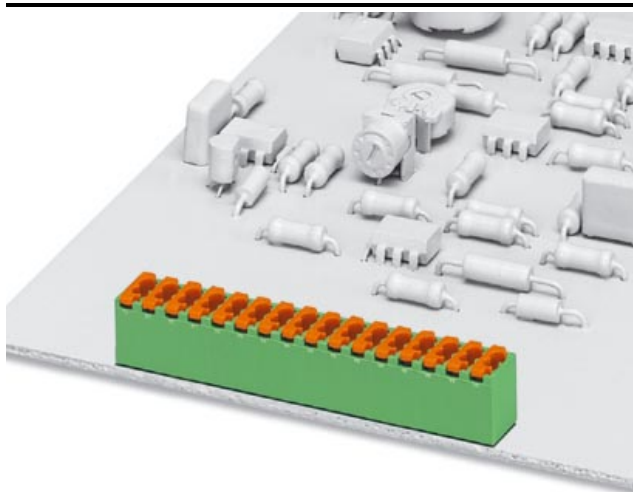


Please note that the data given here has been taken from the online catalog. For comprehensive information and data, please refer to the user documentation at <http://www.download.phoenixcontact.com>. The General Terms and Conditions of Use apply to Internet downloads.

▶ Extract from the online catalog



Printed circuit terminal block, nominal current: 4 A, rated voltage: 160 V, pitch: 3.5 mm, no. of positions: 8, mounting: Soldering, type of connection: Spring-cage connection, connection direction from the conductor to the PCB: 90°

The illustration shows a 16-position version

Order No.	1891124
Ord designation	FK-MPT 0,5/ 8-3,5
EAN	4017918169640
Pack	50 Pcs.
Customs tariff	85369010
Catalog page information	Page 300 (CC-2005)

▶ Technical data

Dimensions / positions

Pitch	3.5 mm
Dimension a	24.5 mm
Number of positions	8
Pin dimensions	0,4 x 0,9 mm
Hole diameter	1 mm

Technical data

Insulating material group	IIIa
Rated surge voltage (III/3)	2.5 kV
Rated surge voltage (III/2)	2.5 kV
Rated surge voltage (II/2)	2.5 kV
Rated voltage (III/2)	250 V
Rated voltage (II/2)	250 V
Connection in acc. with standard	EN-VDE
Nominal current I_N	4 A
Nominal voltage U_N	160 V
Nominal cross section	0.5 mm ²
Maximum load current	4 A (with 0.5 mm ² conductor cross section)
Insulating material	PBT
Inflammability class acc. to UL 94	V0
Stripping length	6.5 mm

Connection data

Conductor cross section, rigid min.	0.12 mm ²
Conductor cross section, rigid max.	0.5 mm ²
Conductor cross section AWG/kcmil min.	26
Conductor cross section AWG/kcmil max	20

► Certificates

CUL

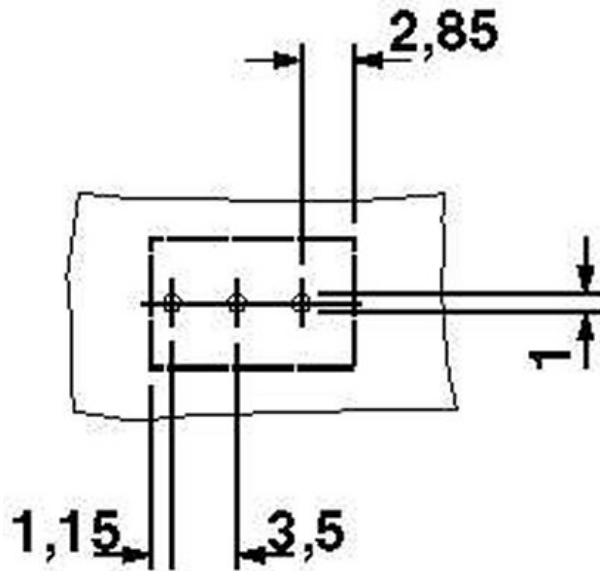
Nominal voltage U_N	300 V
Nominal current I_N	4 A
AWG/kcmil	28-20

UL

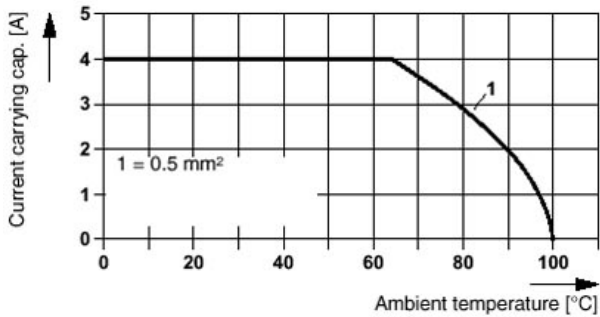
Nominal voltage U_N	300 V
Nominal current I_N	4 A
AWG/kcmil	28-20

► Drawings

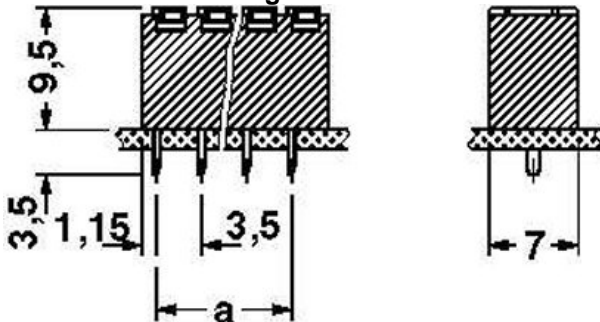
Drilling diagram



Diagram



Dimensioned drawing



Approval logo



► Accessories

Item	Designation	Description
General		
1905405	FK-MPT 0,5/ 8-IC-3,5	Header for FK-MPT 0.5/...-3.5, 3.5 mm pitch, color: black, no. of positions 8, dimension a 24.5 mm
1905557	FK-MPT 0,5/ 8-ICV-3,5	Header for FK-MPT 0.5/...-3.5, 3.5 mm pitch, color: black, no. of positions 8, dimension a 24.5 mm
Tools		
1204504	SZF 0-0,4X2,5	Screwdriver, blade: 0.4 x 2.5 x 100 mm, length 180 mm

► Additional products

Item	Designation	Description
General		
1905405	FK-MPT 0,5/ 8-IC-3,5	Header for FK-MPT 0.5/...-3.5, 3.5 mm pitch, color: black, no. of positions 8, dimension a 24.5 mm
1905557	FK-MPT 0,5/ 8-ICV-3,5	Header for FK-MPT 0.5/...-3.5, 3.5 mm pitch, color: black, no. of positions 8, dimension a 24.5 mm

► Address

PHOENIX CONTACT GmbH & Co. KG
Flachsmarktstr. 8
32825 Blomberg
Germany
Phone +49 5235 3 00
Fax +49 5235 3 41200
<http://www.phoenixcontact.com>
Phoenix Contact
Technical modifications reserved;