

## MKDSP 25/ 2-15,00-F


Order No.: 1932494

The figure shows a 5-pos. version of the product

<http://eshop.phoenixcontact.de/phoenix/treeViewClick.do?UID=1932494>

PC terminal block, Nominal current: 125 A, Nom. voltage: 1000 V, Pitch: 15 mm, Number of positions: 2, Connection method: Screw connection, Mounting: Soldering, Conductor/PCB connection direction: 0 °, Color: green, An opening is made in the area around the mounting flange. The flanges are fastened to the device with bolts to support the MKDSP 25.

### Commercial data

|                          |  |
|--------------------------|--|
| GTIN (EAN)               | <br>4 017918 902025 |
| sales group              | E550   |
| Pack                     | 25 pcs.  |
| Customs tariff           | 85369010   |
| Catalog page information | Page 375 (CC-2011)   |

### Product notes

WEEE/RoHS-compliant since:  
05/12/2005

<http://www.download.phoenixcontact.com>  
Please note that the data given here has been taken from the online catalog. For comprehensive information and data, please refer to the user documentation. The General Terms and Conditions of Use apply to Internet downloads.

### Technical data

#### Dimensions / positions

|        |       |
|--------|-------|
| Length | 31 mm |
| Pitch  | 15 mm |

|                        |              |
|------------------------|--------------|
| Dimension a            | 15 mm        |
| Number of positions    | 2            |
| Pin dimensions         | 1,2 x 1,2 mm |
| Hole diameter          | 1.6 mm       |
| Screw thread           | M5           |
| Tightening torque, min | 2.5 Nm       |
| Tightening torque max  | 4.5 Nm       |

**Technical data**

|                                     |   |
|-------------------------------------|---|
| Range of articles                   | MKDSP 25/..-F   |
| Insulating material group           | I   |
| Rated voltage (III/3)               | 1000 V  |
| Rated voltage (III/2)               | 1000 V  |
| Rated voltage (II/2)                | 1000 V  |
| Connection in acc. with standard    | EN-VDE  |
| Nominal current $I_N$               | 125 A   |
| Nominal cross section               | 2.5 mm <sup>2</sup>                                     |
| Maximum load current                | 125 A (with 35 mm <sup>2</sup> conductor cross section) |
| Insulating material                 | PA  |
| Inflammability class acc. to UL 94  | V0  |
| Internal cylindrical gage           | B 7   |
| Stripping length                    | 18 mm   |
| Nominal voltage, UL/CUL Use Group B | 600 V   |
| Nominal current, UL/CUL Use Group B | 115 A   |
| Nominal voltage, UL/CUL Use Group C | 600 V   |
| Nominal current, UL/CUL Use Group C | 115 A   |

**Connection data**

|  |                     |
|--|---------------------|
| Conductor cross section solid min.   | 0.5 mm <sup>2</sup> |
| Conductor cross section solid max.   | 35 mm <sup>2</sup>  |
| Conductor cross section stranded min.                                      | 0.5 mm <sup>2</sup> |
| Conductor cross section stranded max.                                      | 25 mm <sup>2</sup>  |
| Conductor cross section stranded, with ferrule without plastic sleeve min. | 1 mm <sup>2</sup>   |
| Conductor cross section stranded, with ferrule without plastic sleeve max. | 25 mm <sup>2</sup>  |

|   |                     |
|---|---------------------|
| Conductor cross section stranded, with ferrule with plastic sleeve min.                 | 1.5 mm <sup>2</sup> |
| Conductor cross section stranded, with ferrule with plastic sleeve max.                 | 25 mm <sup>2</sup>  |
| Conductor cross section AWG/kcmil min.  | 20                  |
| Conductor cross section AWG/kcmil max   | 2                   |
| 2 conductors with same cross section, solid min.  | 0.5 mm <sup>2</sup> |
| 2 conductors with same cross section, solid max.  | 6 mm <sup>2</sup>   |
| 2 conductors with same cross section, stranded min.                                     | 0.5 mm <sup>2</sup> |
| 2 conductors with same cross section, stranded max.                                     | 6 mm <sup>2</sup>   |
| 2 conductors with same cross section, stranded, ferrules without plastic sleeve, min.   | 0.5 mm <sup>2</sup> |
| 2 conductors with same cross section, stranded, ferrules without plastic sleeve, max.   | 4 mm <sup>2</sup>   |
| 2 conductors with same cross section, stranded, TWIN ferrules with plastic sleeve, min. | 0.5 mm <sup>2</sup> |
| 2 conductors with same cross section, stranded, TWIN ferrules with plastic sleeve, max. | 6 mm <sup>2</sup>   |
| Minimum AWG according to UL/CUL   | 20                  |
| Maximum AWG according to UL/CUL   | 2                   |

### Certificates / Approvals



Certification

CB, CCA, CUL, GOST, SEV, UL

### Accessories

| Item           | Designation        | Description   |
|----------------|--------------------|---|
| <b>Marking</b> |                    |   |
| 0811192        | SK 15/5:UNBEDRUCKT | Marker card, unprinted, with 12 pcs., 10-section marker strips, self-adhesive, color: White |
| 0811202        | ZBF 15:UNBEDRUCKT  | Zack strip, flat, unprinted, 5-section, divisible, for labeling by the customer             |

**Plug/Adapter**

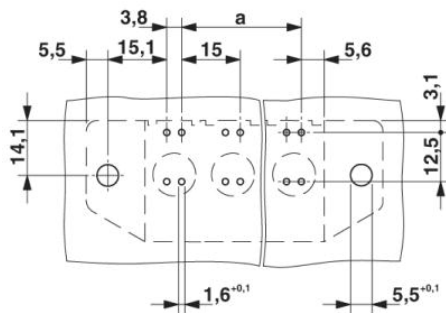
|         |     |                            |
|---------|-----|----------------------------|
| 0201647 | RPS | Reducing plug, Color: gray |
|---------|-----|----------------------------|

**Tools**

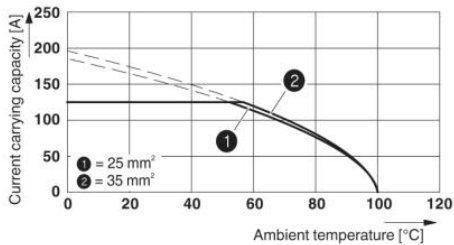
|         |                 |  |
|---------|-----------------|--|
| 1205079 | SZS 1,0X6,5 VDE | Screwdriver, bladed, VDE insulated, size: 1.0 x 6.5 x 150 mm, 2-component grip, with non-slip grip |
|---------|-----------------|--|

**Diagrams/Drawings**

Drilling plan/solder pad geometry



Diagram



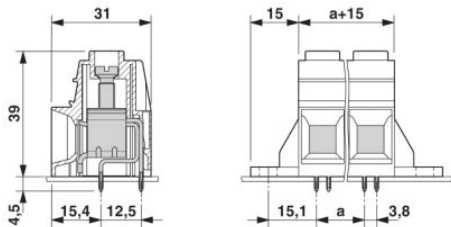
**Type: MKDSP 25/...-15,00**

Tested in accordance with DIN EN 60512-5-2:2003-01

Reduction factor = 1

No. of positions: 5

Dimensioned drawing



**Address**

PHOENIX CONTACT Inc., USA  
586 Fulling Mill Road  
Middletown, PA 17057, USA  
Phone (800) 888-7388  
Fax (717) 944-1625  
<http://www.phoenixcon.com>



© 2011 Phoenix Contact  
Technical modifications reserved;