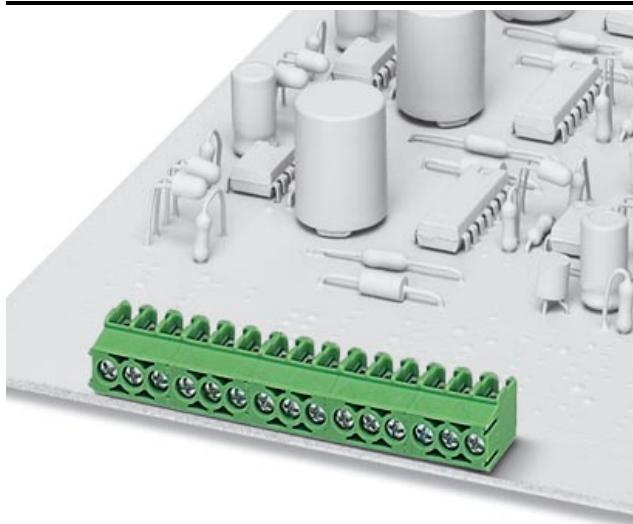


Please note that the data given here has been taken from the online catalog. For comprehensive information and data, please refer to the user documentation at <http://www.download.phoenixcontact.com>. The General Terms and Conditions of Use apply to Internet downloads.

## ► Extract from the online catalog



Printed circuit terminal block, nominal current: 10 A, rated voltage: 160 V, pitch: 3.5 mm, no. of positions: 6, mounting: Soldering, type of connection: Screw connection, connection direction from the conductor to the PCB: 90°

The illustration shows a combination as a 15-position version

|                          |                    |
|--------------------------|--------------------|
| Order No.                | 1984808            |
| Ord designation          | PT 1,5/ 6-3,5-V    |
| EAN                      | 4017918946357      |
| Pack                     | 100 Pcs.           |
| Customs tariff           | 85369010           |
| Catalog page information | Page 307 (CC-2005) |

## ► Product notes

WEEE/RoHS-compliant since: 01/01/2003



## ► Technical data

---

**Dimensions / positions**

|                        |         |
|------------------------|---------|
| Length                 | 9 mm    |
| Height                 | 7.6 mm  |
| Pitch                  | 3.5 mm  |
| Dimension a            | 17.5 mm |
| Number of positions    | 6       |
| Pin dimensions         | 0,9 mm  |
| Pin spacing            | 3.5 mm  |
| Hole diameter          | 1.2 mm  |
| Screw thread           | M 2     |
| Tightening torque, min | 0.25 Nm |

---

**Technical data**

|                                    |                     |
|------------------------------------|---------------------|
| Insulating material group          | I                   |
| Rated surge voltage (III/3)        | 2.5 kV              |
| Rated surge voltage (III/2)        | 2.5 kV              |
| Rated surge voltage (II/2)         | 2.5 kV              |
| Rated voltage (III/2)              | 200 V               |
| Rated voltage (II/2)               | 400 V               |
| Connection in acc. with standard   | EN-VDE              |
| Nominal current $I_N$              | 10 A                |
| Nominal voltage $U_N$              | 160 V               |
| Nominal cross section              | 1.5 mm <sup>2</sup> |
| Maximum load current               | 10 A                |
| Insulating material                | PA                  |
| Inflammability class acc. to UL 94 | V0                  |
| Stripping length                   | 5 mm                |

---

**Connection data**

|  |                      |
|--|----------------------|
| Conductor cross section, rigid min.                  | 0.2 mm <sup>2</sup>  |
| Conductor cross section, rigid max.                  | 1.5 mm <sup>2</sup>  |
| Conductor cross section flexible min.                | 0.2 mm <sup>2</sup>  |
| Conductor cross section, flexible max.               | 1.5 mm <sup>2</sup>  |
| Conductor cross section AWG/kcmil min.               | 26                   |
| Conductor cross section AWG/kcmil max                | 16                   |
| 2 conductors with same cross section, solid min.     | 0.2 mm <sup>2</sup>  |
| 2 conductors with same cross section, solid max.     | 0.34 mm <sup>2</sup> |
| 2 conductors with same cross section, flexible, min. | 0.2 mm <sup>2</sup>  |
| 2 conductors with same cross section, flexible max.  | 0.5 mm <sup>2</sup>  |

---

## ► Certificates

---

### CUL

|                       |       |
|-----------------------|-------|
| Nominal voltage $U_N$ | 300 V |
| Nominal current $I_N$ | 10 A  |
| AWG/kcmil             | 26-16 |

---

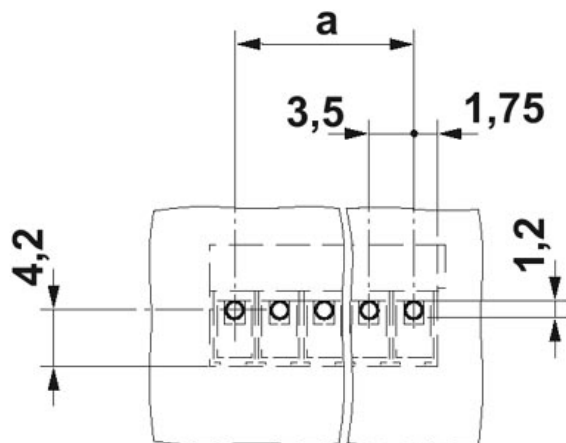
### UL

|                       |       |
|-----------------------|-------|
| Nominal voltage $U_N$ | 300 V |
| Nominal current $I_N$ | 10 A  |
| AWG/kcmil             | 26-16 |

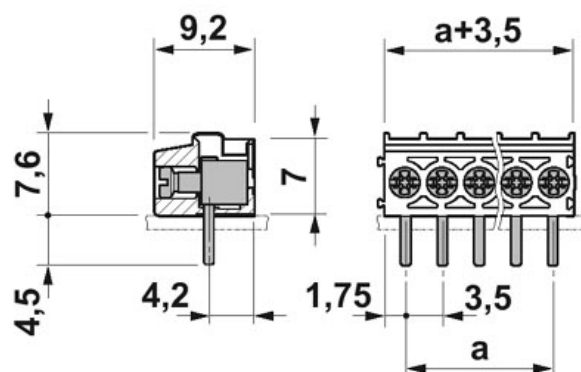
---

## ► Drawings

### Drilling diagram



### Dimensioned drawing



---

## ► Accessories

---

| Item           | Designation             | Description   |
|----------------|-------------------------|---|
| <b>Marking</b> |                         |   |
| 1051993        | B-STIFT                 | Marker pen, for manual labeling of unprinted Zack strips, smear-proof and waterproof, line thickness 0.5 mm   |
| 0804073        | SK 3,5/2,8:FORTL.ZAHLEN |   |
| 0805030        | SK 3,5/2,8:SO           |   |
| 0803883        | SK U/2,8 WH:UNBEDRUCKT  | Unprinted marker cards, DIN A4 format, pitch as desired, self-adhesive, with 50 stamped marker strips, 185 mm strip length, can be labeled with the CMS system or manually with the M-PEN |
| 0811228        | X-PEN 0,35              | Marker pen without ink cartridge, for manual labeling of markers, labeling extremely wipe-proof, line thickness 0.35 mm   |
| <b>Tools</b>   |                         |   |
| 1205037        | SZS 0,4X2,5             | Screwdriver, bladed, matches all screw terminal blocks up to 1.5 mm <sup>2</sup> connection cross section, blade: 0.4 x 2.5 mm  |

---

---

## ► Address

---

PHOENIX CONTACT Inc., USA  
586 Fulling Mill Road  
Middletown, PA 17057  
USA  
Phone (800) 888-7388  
Fax (717) 944-1625  
<http://www.phoenixcon.com>  
Phoenix Contact  
Technical modifications reserved;