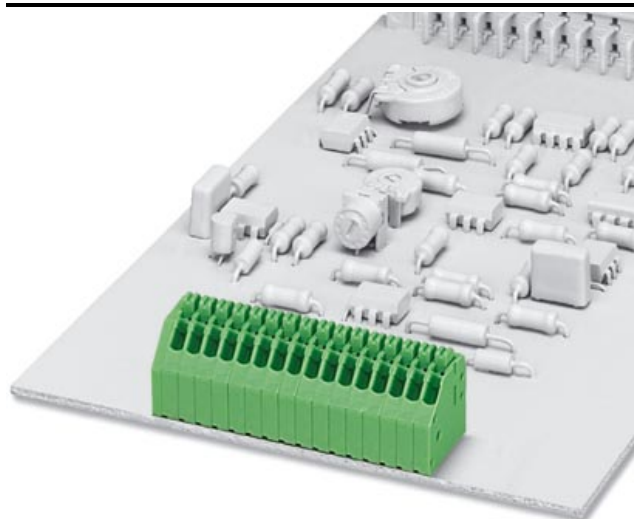


Please note that the data given here has been taken from the online catalog. For comprehensive information and data, please refer to the user documentation at <http://www.download.phoenixcontact.com>. The General Terms and Conditions of Use apply to Internet downloads.

## ► Extract from the online catalog



Pcb terminal, number of poles: 13, pitch: 2.5 mm, U = 160 V, I = 2 A, cross section: 0.5 mm<sup>2</sup>

The illustration shows the 16-position product version

Order No.	1990119
Ord designation	PTSA 0,5/13-2,5-Z
EAN	4017918973681
Pack	50 Pcs.
Customs tariff	85369010
Catalog page information	Page 304 (CC-2005)

## ► Product notes

WEEE/RoHS-compliant since: 01/29/2004



## ► Technical data

### Dimensions / positions

Pitch	2.5 mm
Number of positions	13

### Technical data

Maximum load current	2 A
----------------------	-----

---

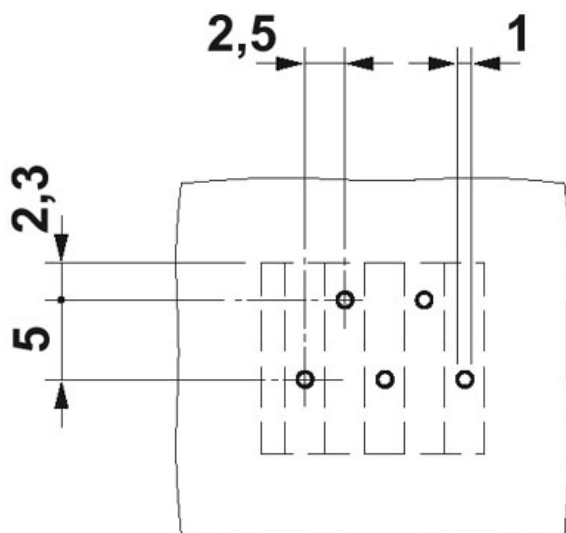
**Connection data**

Conductor cross section, rigid min.	0.2 mm <sup>2</sup>
Conductor cross section, rigid max.	0.5 mm <sup>2</sup>
Conductor cross section flexible min.	0.2 mm <sup>2</sup>
Conductor cross section, flexible max.	0.5 mm <sup>2</sup>
Conductor cross section AWG/kcmil min.	26
Conductor cross section AWG/kcmil max	20

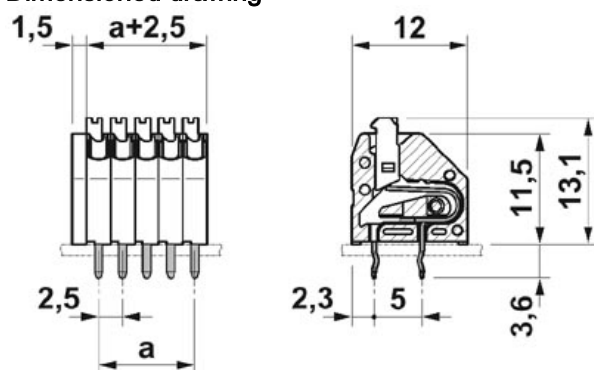
---

## ► Drawings

### Drilling diagram



### Dimensioned drawing



---

## ► Address

---

PHOENIX CONTACT Inc., USA  
586 Fulling Mill Road  
Middletown, PA 17057  
USA  
Phone (800) 888-7388  
Fax (717) 944-1625  
<http://www.phoenixcon.com>  
Phoenix Contact  
Technical modifications reserved;