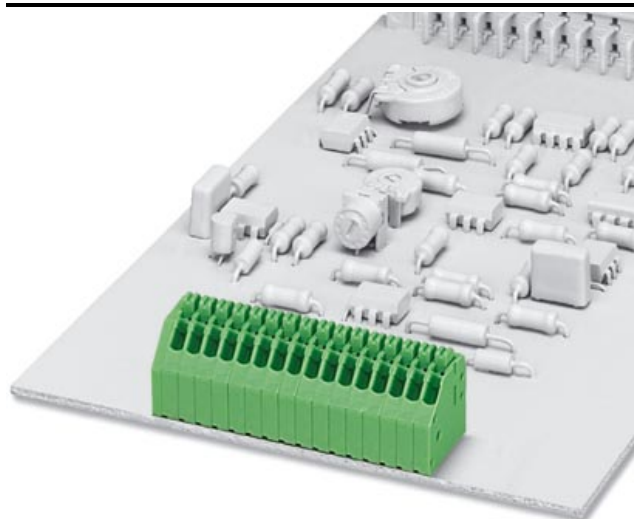


Please note that the data given here has been taken from the online catalog. For comprehensive information and data, please refer to the user documentation at <http://www.download.phoenixcontact.com>. The General Terms and Conditions of Use apply to Internet downloads.

► Extract from the online catalog



Pcb terminal, number of poles: 16, pitch: 2.5 mm, U = 160 V, I = 2 A, cross section: 0.5 mm²

Order No.	1990148
Ord designation	PTSA 0,5/16-2,5-Z
EAN	4017918973711
Pack	50 Pcs.
Customs tariff	85369010
Catalog page information	Page 304 (CC-2005)

► Product notes

WEEE/RoHS-compliant since: 01/29/2004



► Technical data

Dimensions / positions

Pitch	2.5 mm
Number of positions	16

Technical data

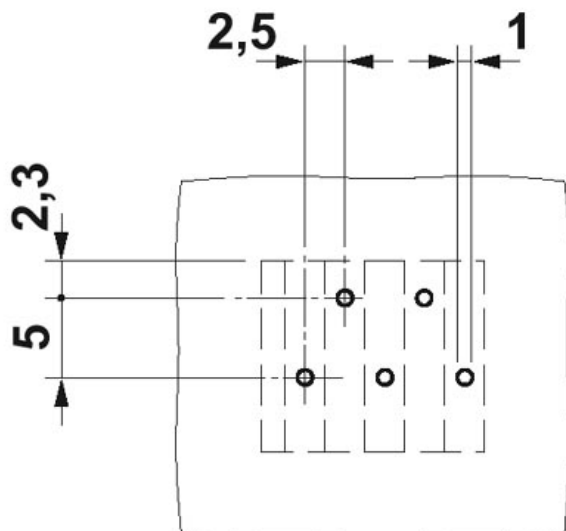
Maximum load current	2 A
----------------------	-----

Connection data

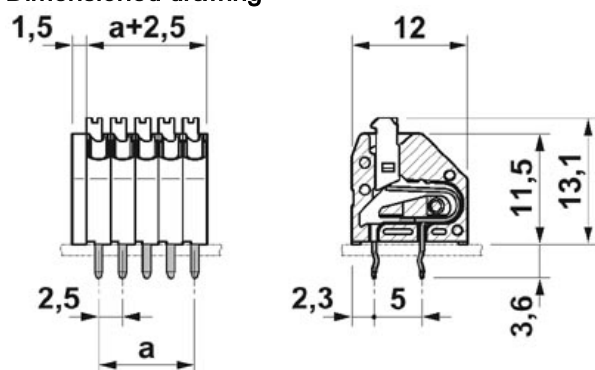
Conductor cross section, rigid min.	0.2 mm ²
Conductor cross section, rigid max.	0.5 mm ²
Conductor cross section flexible min.	0.2 mm ²
Conductor cross section, flexible max.	0.5 mm ²
Conductor cross section AWG/kcmil min.	26
Conductor cross section AWG/kcmil max	20

▶ Drawings

Drilling diagram



Dimensioned drawing



► Address

PHOENIX CONTACT Inc., USA
586 Fulling Mill Road
Middletown, PA 17057
USA
Phone (800) 888-7388
Fax (717) 944-1625
<http://www.phoenixcon.com>
Phoenix Contact
Technical modifications reserved;