

SIM-ERSN-HB-KSR/MET

Order No.: 2271497

<http://eshop.phoenixcontact.de/phoenix/treeViewClick.do?UID=2271497>

Retainer, for miniature switching relays or miniature optocouplers

Commercial data

GTIN (EAN)	4017918833381
Note	Made-to-order
sales group	G088
Pack	10 pcs.
Customs tariff	85369010
Weight/Piece	0.0019 KG
Catalog page information	Page 308 (IF-2009)

Product notesWEEE/RoHS-compliant since:
04/11/2006

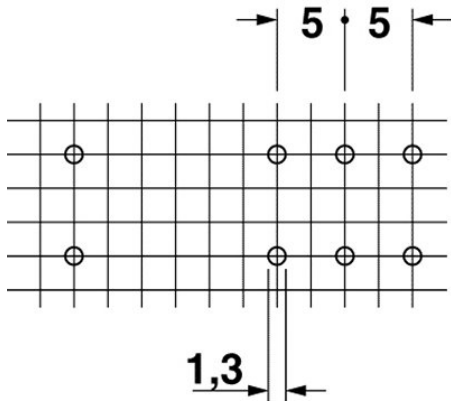
<http://www.download.phoenixcontact.com>
Please note that the data given here has been taken from the online catalog. For comprehensive information and data, please refer to the user documentation. The General Terms and Conditions of Use apply to Internet downloads.

Technical data**General data**

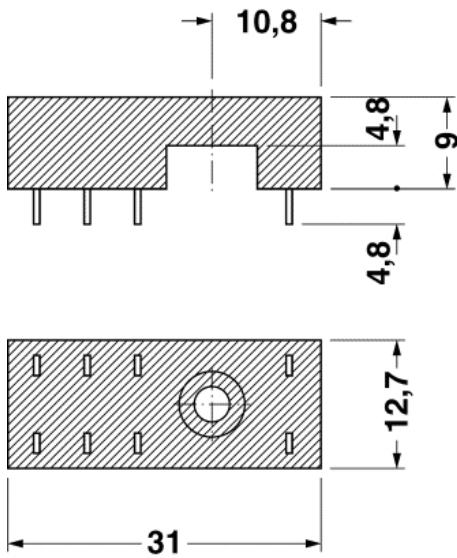
Nominal voltage U_N	250 V
Nominal current I_N	10 A (1-pos.) 2x 10 A (2-pos.)
Test voltage	5 kV AC
Hole diameter	1.3 mm
Pitch	5 mm

Diagrams/Drawings

Drilling plan/solder pad geometry



Dimensioned drawing



Address

PHOENIX CONTACT Inc., USA
586 Fulling Mill Road
Middletown, PA 17057, USA
Phone (800) 888-7388
Fax (717) 944-1625
<http://www.phoenixcon.com>



© 2010 Phoenix Contact
Technical modifications reserved;