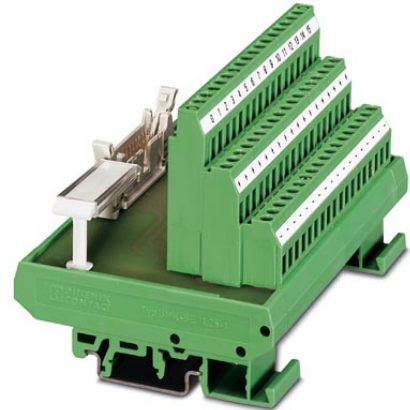


FLKMS 20/16IM

Order No.: 2282046



<http://eshop.phoenixcontact.de/phoenix/treeViewClick.do?UID=2282046>

VARIOFACE module, for mounting on NS 35/7.5 or NS 32, for connecting 16 proximity switches

Commercial data	
GTIN (EAN)	4017918055134
Note	Made-to-order
sales group	I001
Pack	1 pcs.
Customs tariff	85369010
Weight/Piece	0.2906 KG

Product notes

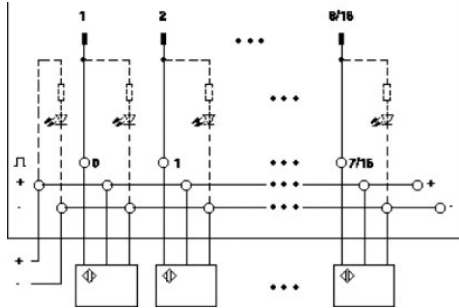
WEEE/RoHS-compliant since:
01/19/2007



<http://www.download.phoenixcontact.com>
Please note that the data given here has been taken from the online catalog. For comprehensive information and data, please refer to the user documentation. The General Terms and Conditions of Use apply to Internet downloads.

Diagrams/Drawings

Circuit diagram



Address

PHOENIX CONTACT Inc., USA
586 Fulling Mill Road
Middletown, PA 17057, USA
Phone (800) 888-7388
Fax (717) 944-1625
<http://www.phoenixcon.com>



© 2010 Phoenix Contact
Technical modifications reserved;