

I/O module - AXL F DI32/1 1F - 2688035

Please be informed that the data shown in this PDF Document is generated from our Online Catalog. Please find the complete data in the user's documentation. Our General Terms of Use for Downloads are valid (<http://phoenixcontact.com/download>)



Axioline F, Digital input module, Digital inputs: 32, 24 V DC, connection method: 1-wire, transmission speed in the local bus: 100 Mbps, degree of protection: IP20, including bus base module and Axioline F connectors

Product Description

The module is designed for use within an Axioline F station.

It is used to acquire digital signals.

You can adjust the filter times of the inputs to increase noise immunity.


Filter times of 100 μ s enable you to implement a counter function with a maximum input frequency of 5 kHz in the application.

Your advantages

- ✓ 32 digital inputs according to EN 61131-2 type 1 and type 3
- ✓ 24 V DC, 2.4 mA
- ✓ Connection of sensors in single-wire technology
- ✓ Minimum update time of < 100 μ s
- ✓ Filter times can be adjusted in three increments: < 100 μ s, 1000 μ s or 3000 μ s
- ✓ Maximum input frequency: 5 kHz
- ✓ Device rating plate stored



Key Commercial Data

| | |
|--------------|---|
| Packing unit | 1 pc |
| GTIN |  4 046356 501590 |
| GTIN | 4046356501590 |

Technical data

Dimensions

| Caption | Dimensions |
|--------------------|---|
| Width | 53.6 mm |
| Height | 126.1 mm |
| Depth | 54 mm |
| Note on dimensions | The depth is valid when a TH 35-7,5 DIN rail is used (according to EN 60715). |

I/O module - AXL F DI32/1 1F - 2688035

Technical data

Ambient conditions

| | |
|--|---|
| Ambient temperature (operation) | -25 °C ... 60 °C |
| Ambient temperature (storage/transport) | -40 °C ... 85 °C |
| Permissible humidity (operation) | 5 % ... 95 % (non-condensing) |
| Permissible humidity (storage/transport) | 5 % ... 95 % (non-condensing) |
| Air pressure (operation) | 70 kPa ... 106 kPa (up to 3000 m above sea level) |
| Air pressure (storage/transport) | 70 kPa ... 106 kPa (up to 3000 m above sea level) |
| Degree of protection | IP20 |

Connection data

| | |
|---------------------------------------|---|
| Designation | Axioline F connector |
| Connection method | Push-in connection |
| Note on the connection method | Please observe the information provided on conductor cross sections in the "Axioline F: system and installation" user manual. |
| | Applications with UL approval: only use copper conductors. |
| Conductor cross section solid min. | 0.2 mm ² |
| Conductor cross section solid max. | 1.5 mm ² |
| Conductor cross section flexible min. | 0.2 mm ² |
| Conductor cross section flexible max. | 1.5 mm ² |
| Conductor cross section AWG min. | 24 |
| Conductor cross section AWG max. | 16 |
| Stripping length | 8 mm |

General

| | |
|-------------------------------|-------------------------------------|
| Mounting type | DIN rail |
| Color | traffic grey A RAL 7042 |
| Net weight | 232.1 g |
| Note on weight specifications | with connectors and bus base module |
| Mounting position | any (no temperature derating) |

Interfaces

| | |
|--------------------|----------------------|
| Designation | Axioline F local bus |
| No. of channels | 2 |
| Connection method | Bus base module |
| Transmission speed | 100 Mbps |

Axioline potentials

| | |
|---------------------|--|
| Designation | Axioline F local bus supply (U _{Bus}) |
| Supply voltage | 5 V DC (via bus base module) |
| Current consumption | max. 120 mA (up to HW 04) |
| | max. 60 mA (as of HW 05) |
| Power consumption | max. 600 mW (up to HW 04) |
| | max. 300 mW (as of HW 05) |
| Designation | Supply for digital input modules (U _i) |

I/O module - AXL F DI32/1 1F - 2688035

Technical data

Axioline potentials

| | |
|----------------------|--|
| Supply voltage | 24 V DC |
| Supply voltage range | 19.2 V DC ... 30 V DC (including all tolerances, including ripple) |
| Current consumption | max. 50 mA |
| Power consumption | max. 1.2 W |
| Protective circuit | Surge protection of the supply voltage electronic (35 V, 0.5 s) |
| | Polarity reversal protection of the supply voltage parallel diode; with external 5 A fuse (only for commissioning) |
| Protection | max. 8 A (polarity reversal protection up to 5 A) |

Digital inputs

| | |
|-----------------------------------|---|
| Input name | Digital inputs |
| Description of the input | EN 61131-2 types 1 and 3 |
| Connection method | Push-in connection |
| Connection technology | 1-wire |
| Number of inputs | 32 |
| Protective circuit | Polarity reversal protection of the inputs parallel diode (30 V, 5 s) |
| Nominal input voltage U_{IN} | 24 V DC |
| Nominal input current at U_{IN} | 2.4 mA |
| Input filter time | 3000 μ s (Default) |
| | 1000 μ s |
| | < 100 μ s |
| Input voltage range "0" signal | -3 V DC ... 5 V DC |
| Input voltage range "1" signal | 11 V DC ... 30 V DC |

Electrical isolation

| | |
|--------------|--|
| Test section | 5 V supply of the local bus (U_{BUS}) / 24 V supply (I/Os) 500 V AC 50 Hz 1 min. |
| | 5 V supply of the local bus (U_{BUS}) / functional ground 500 V AC 50 Hz 1 min. |
| | 24 V supply (I/O) / functional earth ground 500 V AC 50 Hz 1 min. |

Standards and Regulations

| | |
|------------------|---|
| Mechanical tests | Vibration resistance in acc. with EN 60068-2-6/IEC 60068-2-6 5g |
| | Shock in acc. with EN 60068-2-27/IEC 60068-2-27 30g |
| | Continuous shock according to EN 60068-2-27/IEC 60068-2-27 10g |
| Protection class | III (IEC 61140, EN 61140, VDE 0140-1) |

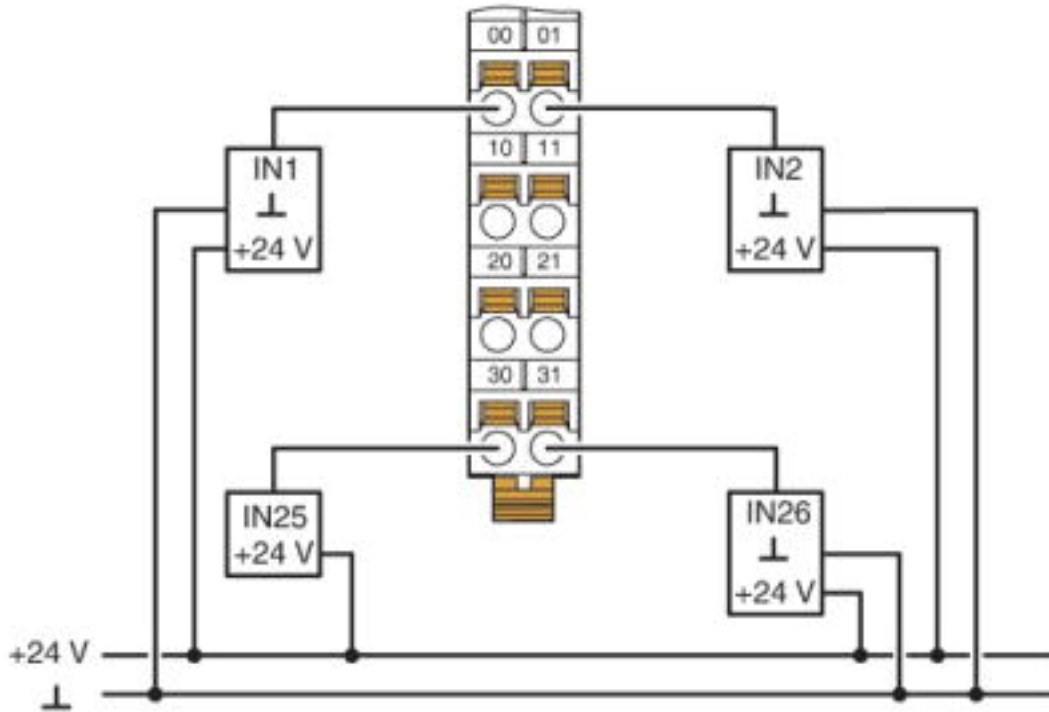
Environmental Product Compliance

| | |
|------------|---|
| REACH SVHC | Lead 7439-92-1 |
| China RoHS | Environmentally Friendly Use Period = 50 years |
| | For details about hazardous substances go to tab "Downloads", Category "Manufacturer's declaration" |

Drawings

I/O module - AXL F DI32/1 1F - 2688035

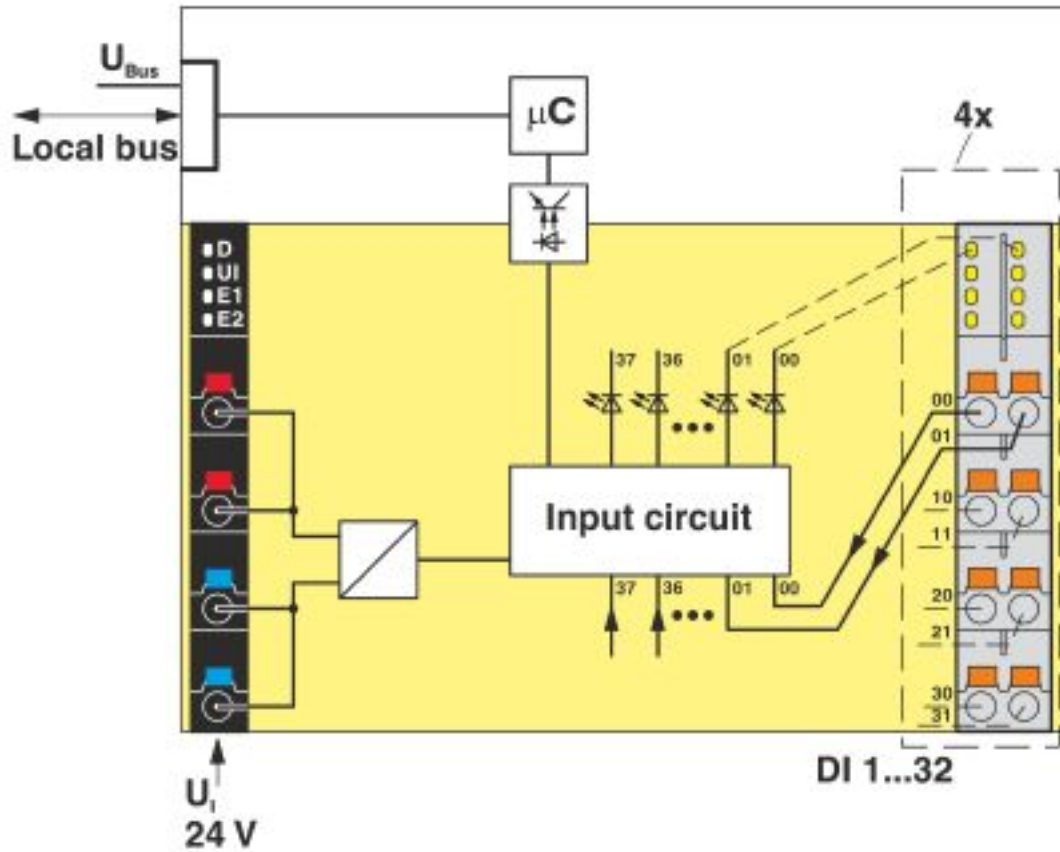
Connection diagram



Connection with 1-wire technology

I/O module - AXL F DI32/1 1F - 2688035

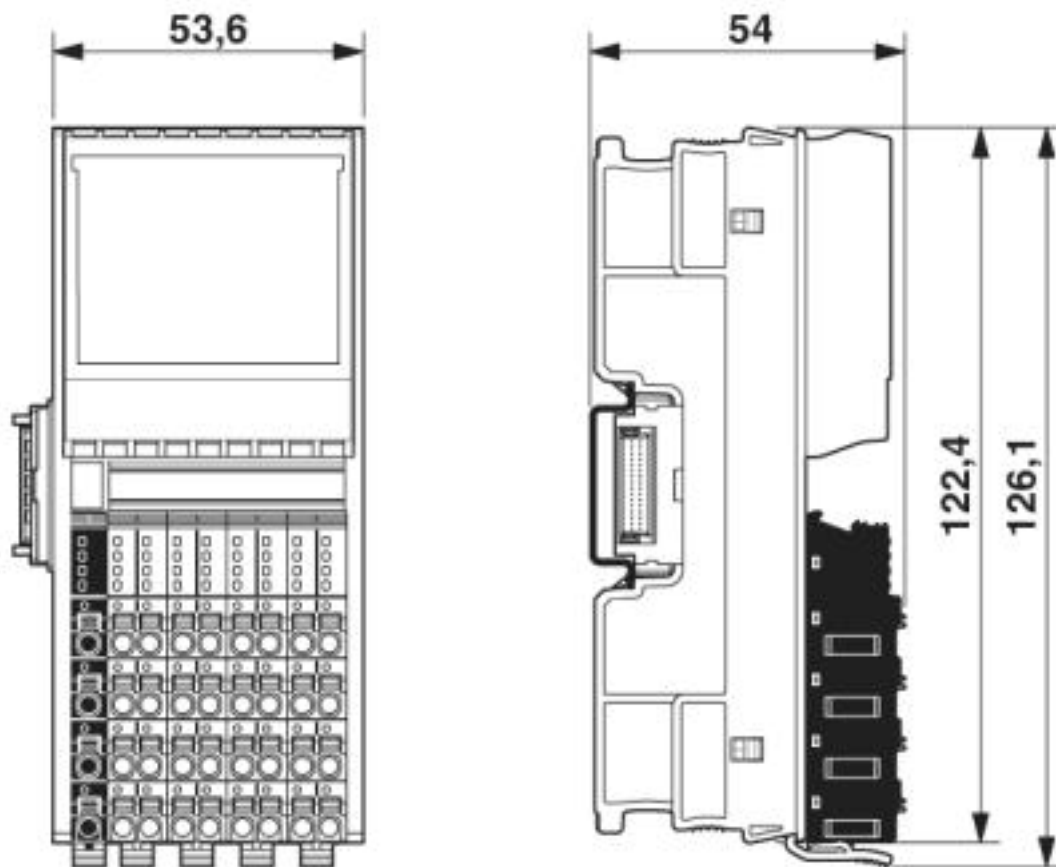
Block diagram



Internal wiring of the terminal points

I/O module - AXL F DI32/1 1F - 2688035

Dimensional drawing



Dimensions

Classifications

eCl@ss

| | |
|---------------|----------|
| eCl@ss 10.0.1 | 27242604 |
| eCl@ss 4.0 | 27240400 |
| eCl@ss 4.1 | 27240400 |
| eCl@ss 5.0 | 27242200 |
| eCl@ss 5.1 | 27242600 |
| eCl@ss 6.0 | 27242600 |
| eCl@ss 7.0 | 27242604 |
| eCl@ss 8.0 | 27242604 |
| eCl@ss 9.0 | 27242604 |

ETIM

| | |
|----------|----------|
| ETIM 3.0 | EC001599 |
| ETIM 4.0 | EC001599 |
| ETIM 5.0 | EC001599 |

I/O module - AXL F DI32/1 1F - 2688035

Classifications

ETIM

| | |
|----------|----------|
| ETIM 6.0 | EC001599 |
| ETIM 7.0 | EC001599 |

UNSPSC

| | |
|---------------|----------|
| UNSPSC 6.01 | 43172015 |
| UNSPSC 7.0901 | 43201404 |
| UNSPSC 11 | 39121311 |
| UNSPSC 12.01 | 39121311 |
| UNSPSC 13.2 | 32151602 |
| UNSPSC 18.0 | 32151602 |
| UNSPSC 19.0 | 32151602 |
| UNSPSC 20.0 | 32151602 |
| UNSPSC 21.0 | 32151602 |

Approvals


Approvals

Approvals


PRS / BV / LR / KR / ABS / BSH / RINA / LR / ABS / PRS / BV / RINA / BSH / KR / EAC / EAC / DNV GL / UL Listed / cUL Listed / UL Listed / cUL Listed / DNV GL

Ex Approvals

Approval details

| | | | |
|-----|---|---|-------------------|
| PRS |  | http://www.prs.pl/ | TE/2239/880590/19 |
|-----|---|---|-------------------|










| | | | |
|----|---|---|-------------|
| BV |  | http://www.veristar.com/portal/veristarinfo/generalinfo/approved/approvedProducts/equipmentAndMaterials | 36433/B1 BV |
|----|---|---|-------------|

| | | | |
|----|---|---|----------|
| LR |  | http://www.lr.org/en | 14-20019 |
|----|---|---|----------|

| | | | |
|----|---|---|----------------|
| KR |  | http://www.krs.co.kr/eng/main/main.aspx | HMB17372-AC002 |
|----|---|---|----------------|

I/O module - AXL F DI32/1 1F - 2688035

Approvals

| | | | |
|--------|---|---|-------------------|
| ABS | | http://www.eagle.org/eagleExternalPortalWEB/ | 18-HG1767360-PDA |
| BSH | | | 840 |
| RINA |  | http://www.rina.org/en | ELE256518XG |
| LR |  | http://www.lr.org/en | 14-20019 |
| ABS | | http://www.eagle.org/eagleExternalPortalWEB/ | 18-HG1767360-PDA |
| PRS |  | http://www.prs.pl/ | TE/2239/880590/19 |
| BV |  | http://www.veristar.com/portal/veristarinfo/generalinfo/approved/approvedProducts/equipmentAndMaterials | 36433/B1 BV |
| RINA |  | http://www.rina.org/en | ELE256518XG |
| BSH | | | 840 |
| KR |  | http://www.krs.co.kr/eng/main/main.aspx | HMB17372-AC002 |
| EAC |  | | EAC-Zulassung |
| EAC |  | | EAC-Zulassung |
| DNV GL |  | https://approvalfinder.dnvgl.com/ | TAA00000DF |

I/O module - AXL F DI32/1 1F - 2688035

Approvals

| | | | |
|-----------|--|---|---------------|
| UL Listed | | http://database.ul.com/cgi-bin/XYV/template/LISEXT/1FRAME/index.htm | FILE E 238705 |
|-----------|--|---|---------------|

| | | | |
|------------|--|---|---------------|
| cUL Listed | | http://database.ul.com/cgi-bin/XYV/template/LISEXT/1FRAME/index.htm | FILE E 238705 |
|------------|--|---|---------------|

| | | | |
|-----------|--|---|---------------|
| UL Listed | | http://database.ul.com/cgi-bin/XYV/template/LISEXT/1FRAME/index.htm | FILE E 238705 |
|-----------|--|---|---------------|

| | | | |
|------------|--|---|---------------|
| cUL Listed | | http://database.ul.com/cgi-bin/XYV/template/LISEXT/1FRAME/index.htm | FILE E 238705 |
|------------|--|---|---------------|

| | | | |
|--------|--|---|------------|
| DNV GL | | https://approvalfinder.dnvgl.com/ | TAA00000DF |
|--------|--|---|------------|

Accessories

Accessories

Device marking

Insert label - EMT (35X46)R - 0801604



Insert label, for the Axioline F series from Phoenix Contact, Roll, white, unlabeled, can be labeled with: THERMOMARK ROLLMASTER 300/600, THERMOMARK X1.2, THERMOMARK ROLL X1, THERMOMARK ROLL 2.0, THERMOMARK ROLL, mounting type: snapped into marker carrier, lettering field size: 35 x 46 mm, Number of individual labels: 500

DIN rail connector

Bus connector - AXL F BS F - 2688129



Axioline F bus base module for housing type F

Terminal marking

I/O module - AXL F DI32/1 1F - 2688035

Accessories

Zack marker strip - ZB 20,3 AXL UNPRINTED - 0829579



Zack marker strip for Axioline F (device labeling), in 2 x 20.3 mm pitch, unprinted, 25-section, for individual labeling with B-STIFT 0.8, X-PEN, or CMS-P1-PLOTTER

Zack Marker strip, flat - ZBF 10/5,8 AXL UNPRINTED - 0829580



Zack Marker strip, flat, Strip, white, unlabeled, can be labeled with: PLOTMARK, CMS-P1-PLOTTER, mounting type: snap into flat marker groove, for terminal block width: 10.15 mm, lettering field size: 4 of 10.15 x 5 mm and 1 of 5.8 x 5 mm, Number of individual labels: 50

Phoenix Contact 2020 © - all rights reserved
<http://www.phoenixcontact.com>

PHOENIX CONTACT GmbH & Co. KG
Flachsmarktstr. 8
32825 Blomberg
Germany
Tel. +49 5235 300
Fax +49 5235 3 41200
<http://www.phoenixcontact.com>