

Bus coupler - AXL F BK PB - 2688530

Please be informed that the data shown in this PDF Document is generated from our Online Catalog. Please find the complete data in the user's documentation. Our General Terms of Use for Downloads are valid (<http://phoenixcontact.com/download>)



Axioline F, Bus coupler, PROFIBUS DP, D-SUB-9 female connector, transmission speed in the local bus: 100 Mbps, including bus base module and Axioline F connector

Product Description


The bus coupler is intended for use within a PROFIBUS network and represents the link to the Axioline F I/O system. Up to 63 Axioline F devices can be connected to the bus coupler. A corresponding GSD file is available for integrating the Axioline F station into the programming system. It can be downloaded at: phoenixcontact.net/product/2688530

Why buy this product

- PROFIBUS connection via 9-pos. D-SUB socket
- Electrical isolation between PROFIBUS interface and logic
- Rotary coding switches for setting the PROFIBUS address
- DP/V1 for class 1 and class 2 masters
- PROFIBUS data transmission speed of 9.6 kbps to 12 Mbps
- Dynamic configuration is supported
- I&M functions
- Firmware can be updated
- Typical cycle time of the Axioline F local bus is around 10 µs



Key Commercial Data

Packing unit	1 STK
GTIN	 4 046356 712903
GTIN	4046356712903

Technical data

Dimensions

Width	45 mm
Height	125.9 mm
Depth	74 mm

Bus coupler - AXL F BK PB - 2688530

Technical data

Dimensions

Note on dimensions	The depth is valid when a TH 35-7,5 DIN rail is used (according to EN 60715).
--------------------	---

Ambient conditions

Ambient temperature (operation)	-25 °C ... 60 °C (Mounting position: wall mounting on horizontal DIN rail)
	-25 °C ... 55 °C (Mounting position: any)
Ambient temperature (storage/transport)	-40 °C ... 85 °C
Permissible humidity (operation)	5 % ... 95 % (non-condensing)
Permissible humidity (storage/transport)	5 % ... 95 % (non-condensing)
Air pressure (operation)	70 kPa ... 106 kPa (up to 3000 m above sea level)
Air pressure (storage/transport)	70 kPa ... 106 kPa (up to 3000 m above sea level)
Degree of protection	IP20

Connection data

Designation	Axiline F connector
Connection method	Push-in connection
Note on the connection method	Please observe the information provided on conductor cross sections in the "Axiline F: system and installation" user manual.
Conductor cross section solid min.	0.2 mm ²
Conductor cross section solid max.	1.5 mm ²
Conductor cross section flexible min.	0.2 mm ²
Conductor cross section flexible max.	1.5 mm ²
Conductor cross section AWG min.	24
Conductor cross section AWG max.	16
Stripping length	8 mm

General

Mounting type	DIN rail
Net weight	175 g
Note on weight specifications	with connector and bus base module
Diagnostics messages	Diagnostic alarms

Interfaces

Designation	PROFIBUS DP
No. of channels	1
Connection method	D-SUB-9 female connector
Transmission speed	9.6 kbps ... 12 Mbps
Number of positions	9
Designation	Axiline F local bus
Connection method	Bus base module
Transmission speed	100 Mbps
Designation	Service
Connection method	Micro USB type B

Bus coupler - AXL F BK PB - 2688530

Technical data

System limits of the bus coupler

Designation	System limits of the bus coupler
Amount of process data	max. 488 Byte (per station)
	max. 244 Byte (Input)
	max. 244 Byte (Output)
Number of parameter data	max. 244 Byte
Number of configuration data	max. 244 Byte
Number of supported devices	max. 63 (per station)
Number of local bus devices that can be connected	max. 63

Axioline potentials

Designation	Communications power U_L feed-in (the supply of the Axioline F local bus U_{Bus} is generated from U_L)
Supply voltage	24 V DC
Supply voltage range	19.2 V DC ... 30 V DC (including all tolerances, including ripple)
Current consumption	max. 567 mA (with 2 A at U_{Bus} for the I/Os and $U_L = 24$ V)
Power consumption	max. 13.7 W (with 2 A load at U_{Bus} for the I/Os)
Designation	Axioline F local bus supply (U_{Bus})
Supply voltage	5 V DC (via bus base module)
Power supply unit	2 A
Type of protection	Surge protection of the supply voltage
	Polarity reversal protection of the supply voltage

Standards and Regulations

Mechanical tests	Vibration resistance in acc. with EN 60068-2-6/IEC 60068-2-6 5g
	Shock in acc. with EN 60068-2-27/IEC 60068-2-27 30g, 11 ms period, half-sine shock pulse
	Continuous shock according to EN 60068-2-27/IEC 60068-2-27 10g
Protection class	III, IEC 61140, EN 61140, VDE 0140-1

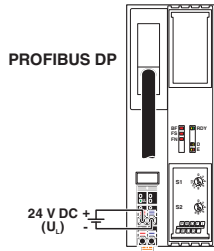
Environmental Product Compliance

China RoHS	Environmentally friendly use period: unlimited = EFUP-e
	No hazardous substances above threshold values

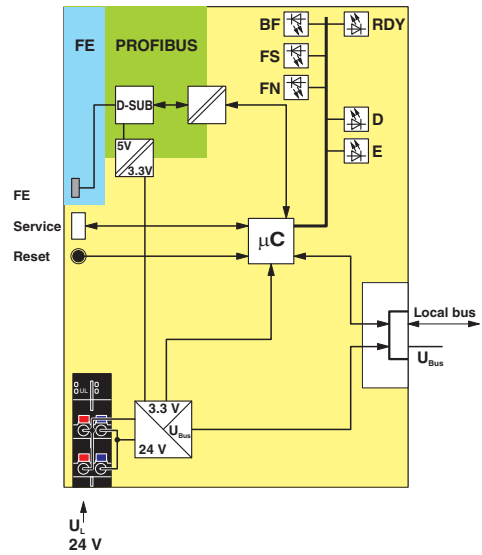
Drawings

Bus coupler - AXL F BK PB - 2688530

Connection diagram

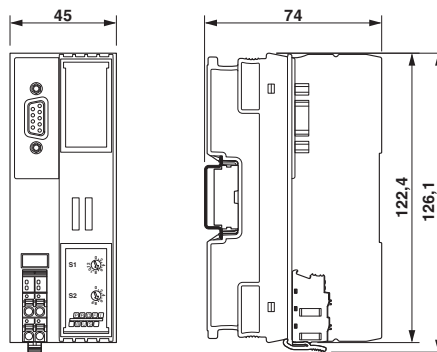


Block diagram



Internal wiring of the terminal points

Dimensional drawing



Approvals

Approvals

Approvals

UL Listed / cUL Listed / EAC / PROFIBUS / BSH / NK / RINA / DNV GL / ABS / KR / PROFIBUS / cULus Listed

Ex Approvals

Approval details

Bus coupler - AXL F BK PB - 2688530

Approvals

UL Listed		http://database.ul.com/cgi-bin/XYV/template/LISEXT/1FRAME/index.htm	FILE E 238705
-----------	--	---	---------------

cUL Listed		http://database.ul.com/cgi-bin/XYV/template/LISEXT/1FRAME/index.htm	FILE E 238705
------------	--	---	---------------

EAC			EAC-Zulassung
-----	--	--	---------------

PROFIBUS			Z02073
----------	--	--	--------

BSH		http://www.bsh.de/de/index.jsp	840
-----	--	---	-----

NK		http://www.classnk.or.jp/hp/en/	14A006
----	--	---	--------

RINA		http://www.rina.org/en	ELE0078216XG
------	--	---	--------------

DNV GL		http://exchange.dnv.com/tari/	TAA00000DF
--------	--	---	------------

ABS		http://www.eagle.org/eagleExternalPortalWEB/	17-HG1669996-PDA
-----	--	---	------------------

KR		http://www.krs.co.kr/eng/main/main.aspx	HMB17372-AC002
----	--	---	----------------

PROFIBUS			Z02073
----------	--	--	--------

cULus Listed			
--------------	--	--	--

Phoenix Contact 2018 © - all rights reserved
<http://www.phoenixcontact.com>

PHOENIX CONTACT GmbH & Co. KG
Flachmarktstr. 8
32825 Blomberg
Germany
Tel. +49 5235 300
Fax +49 5235 3 41200
<http://www.phoenixcontact.com>