

# Communication module - AXL F RS UNI 1H - 2688666

Please be informed that the data shown in this PDF Document is generated from our Online Catalog. Please find the complete data in the user's documentation. Our General Terms of Use for Downloads are valid (<http://phoenixcontact.com/download>)



Axioline F communication module for serial data transmission, 1 interface can be parameterized as RS-485/422 or RS-232 (including bus base module and connectors)

## Product Description


The module is designed for use within an Axioline F station.  
The module is used to operate standard I/O devices with serial interfaces on a bus system.

## Your advantages

- ✓ A serial input and output channel in RS-232, RS-422, and RS-485 format
- ✓ Various protocols supported
- ✓ Transmission speed can be set up to 250,000 baud
- ✓ Parameterization via the PDI channel
- ✓ Device rating plate stored



## Key Commercial Data

Packing unit	1 pc
GTIN	 4 046356 730860
GTIN	4046356730860

## Technical data

### Dimensions

Caption	Dimensions
Width	35 mm
Height	126.1 mm
Depth	54 mm
Note on dimensions	The depth is valid when a TH 35-7,5 DIN rail is used (according to EN 60715).

### Ambient conditions

Ambient temperature (operation)	-25 °C ... 60 °C
Ambient temperature (storage/transport)	-40 °C ... 85 °C

# Communication module - AXL F RS UNI 1H - 2688666

## Technical data

### Ambient conditions

Permissible humidity (operation)	5 % ... 95 % (non-condensing)
Permissible humidity (storage/transport)	5 % ... 95 % (non-condensing)
Air pressure (operation)	70 kPa ... 106 kPa (up to 3000 m above sea level)
Air pressure (storage/transport)	70 kPa ... 106 kPa (up to 3000 m above sea level)
Degree of protection	IP20

### Connection data

Designation	Axioline F connector
Connection method	Push-in connection
Note on the connection method	Please observe the information provided on conductor cross sections in the "Axioline F: system and installation" user manual.
Conductor cross section solid min.	0.2 mm <sup>2</sup>
Conductor cross section solid max.	1.5 mm <sup>2</sup>
Conductor cross section flexible min.	0.2 mm <sup>2</sup>
Conductor cross section flexible max.	1.5 mm <sup>2</sup>
Conductor cross section AWG min.	24
Conductor cross section AWG max.	16
Stripping length	8 mm

### General

Mounting type	DIN rail
Color	traffic grey A RAL 7042
Net weight	187.3 g
Note on weight specifications	with connectors and bus base module
Diagnostics messages	I/O supply failure Yes
Mounting position	any (no temperature derating)

### Interfaces

Designation	Axioline F local bus
No. of channels	2
Connection method	Bus base module
Transmission speed	100 Mbps
Interface	RS-232, RS-485, RS-422
Connection method	Push-in connection
Transmission physics	Copper
Protocols supported	Transparent, end-to-end, XON/XOFF, Modbus/RTU (master support)
Termination resistor	active, integrated
Data bits	5 ... 8
Stop bits	1 or 2
Input buffer	4 kByte
Output buffer	1 kByte

### Axioline potentials

## Communication module - AXL F RS UNI 1H - 2688666

### Technical data

#### Axioline potentials

Designation	Axioline F local bus supply ( $U_{Bus}$ )
Supply voltage	5 V DC (via bus base module)
Current consumption	typ. 200 mA
	max. 240 mA

#### Serial input/output channel

Parity	Even, odd or no parity
Transmission type	Transparent mode, end-to-end mode, XON/XOFF, Modbus/RTU

#### Electrical isolation

Test section	5 V supply of the local bus ( $U_{Bus}$ ) / 5 V supply (I/Os) 1000 V DC 1 min.
	5 V supply of the local bus ( $U_{Bus}$ ) / functional ground 1000 V DC 1 min.
	5 V supply (I/O)/functional earth ground 1000 V DC 1 min.

#### Standards and Regulations

Mechanical tests	Vibration resistance in acc. with EN 60068-2-6/IEC 60068-2-6 5g
	Shock in acc. with EN 60068-2-27/IEC 60068-2-27 30g
	Continuous shock according to EN 60068-2-27/IEC 60068-2-27 10g
Protection class	III (IEC 61140, EN 61140, VDE 0140-1)

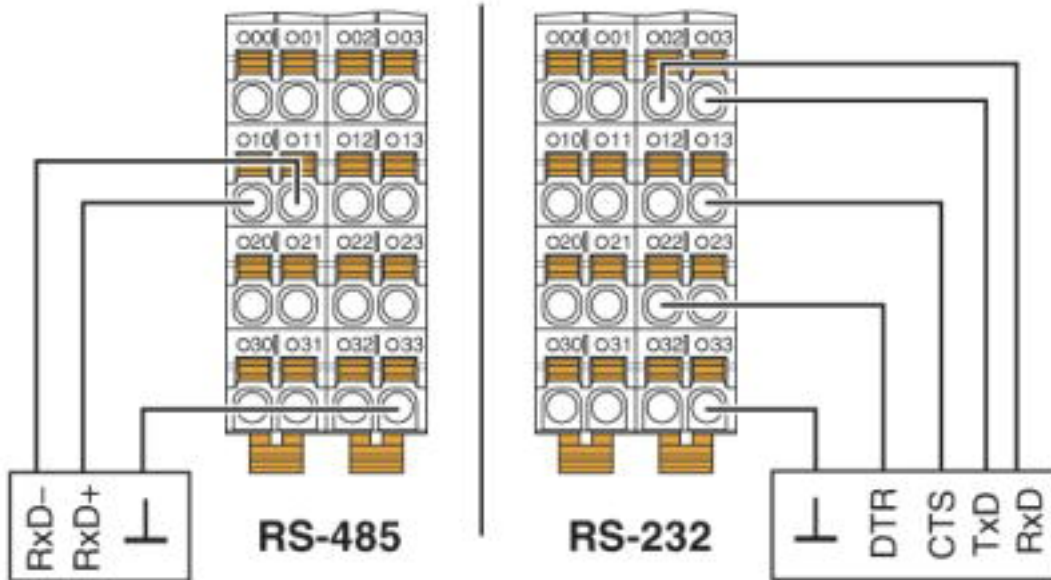
#### Environmental Product Compliance

REACH SVHC	Lead 7439-92-1
China RoHS	Environmentally Friendly Use Period = 50 years
	For details about hazardous substances go to tab "Downloads", Category "Manufacturer's declaration"

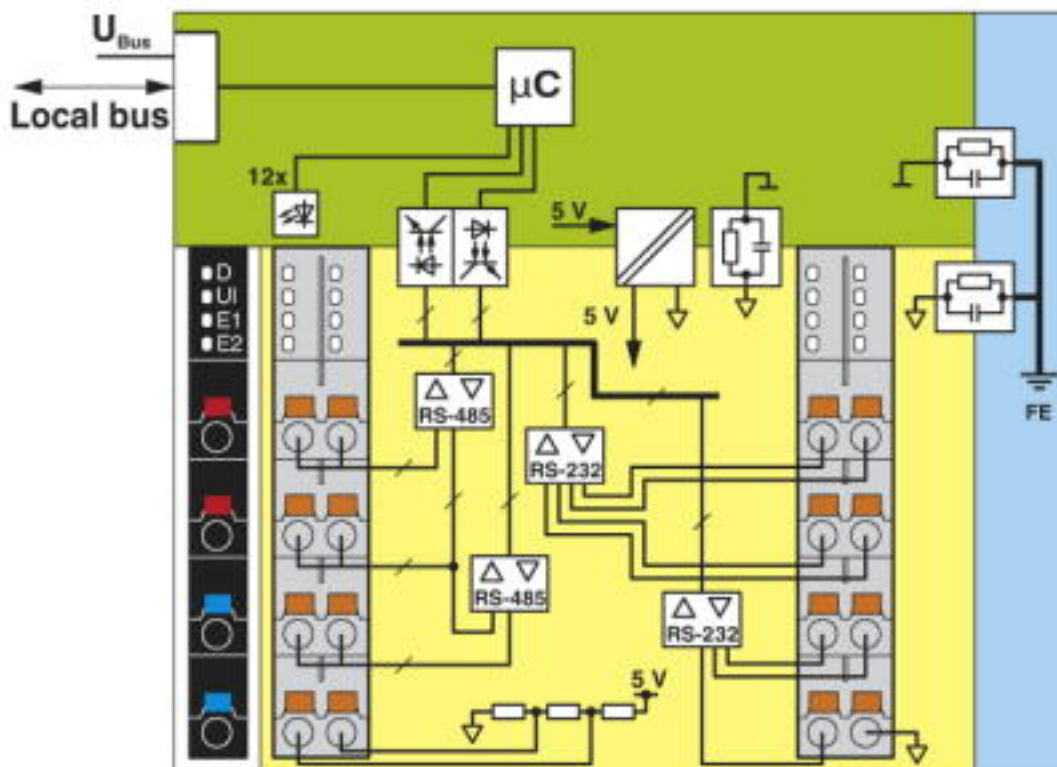
### Drawings

# Communication module - AXL F RS UNI 1H - 2688666

Connection diagram



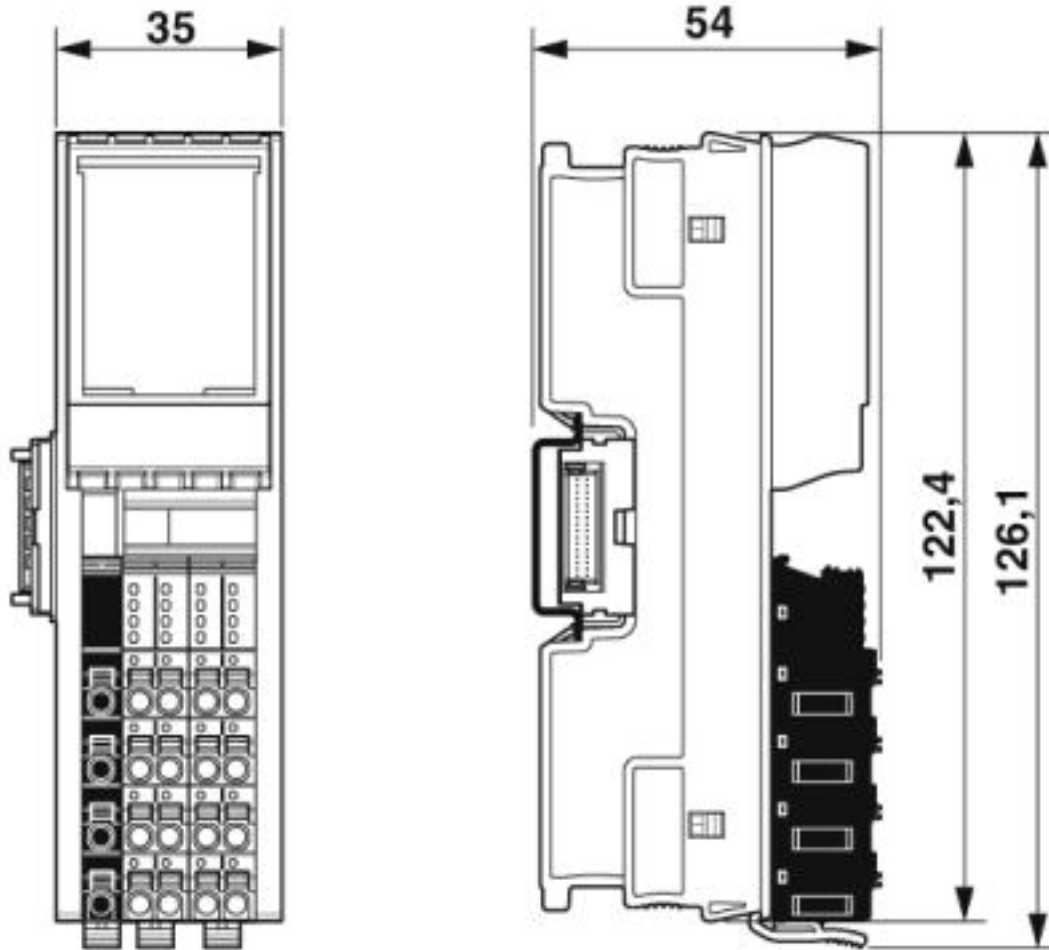
Block diagram



Internal wiring of the terminal points

# Communication module - AXL F RS UNI 1H - 2688666

Dimensional drawing



Dimensions

Classifications

eCl@ss

eCl@ss 10.0.1	27242608
eCl@ss 4.0	27240400
eCl@ss 4.1	27240400
eCl@ss 5.0	27242200
eCl@ss 5.1	27242600
eCl@ss 6.0	27242600
eCl@ss 7.0	27242608
eCl@ss 8.0	27242608
eCl@ss 9.0	27242608

ETIM

ETIM 3.0	EC001599
----------	----------

# Communication module - AXL F RS UNI 1H - 2688666

## Classifications

### ETIM

ETIM 4.0	EC001435
ETIM 5.0	EC001604
ETIM 6.0	EC001604
ETIM 7.0	EC001604

### UNSPSC

UNSPSC 6.01	43172015
UNSPSC 7.0901	43201404
UNSPSC 11	39121311
UNSPSC 12.01	39121311
UNSPSC 13.2	32151602
UNSPSC 18.0	32151602
UNSPSC 19.0	32151602
UNSPSC 20.0	32151602
UNSPSC 21.0	32151602

## Approvals


### Approvals

#### Approvals

PRS / BV / LR / KR / ABS / BSH / RINA / EAC / DNV GL / UL Listed / cUL Listed / cULus Listed

#### Ex Approvals

### Approval details

PRS		<a href="http://www.prs.pl/">http://www.prs.pl/</a>	TE/2239/880590/19
-----	---	---	-------------------

BV		<a href="http://www.veristar.com/portal/veristarinfo/generalinfo/approved/approvedProducts/equipmentAndMaterials">http://www.veristar.com/portal/veristarinfo/generalinfo/approved/approvedProducts/equipmentAndMaterials</a>	36433/B1 BV
----	---	---	-------------

LR		<a href="http://www.lr.org/en">http://www.lr.org/en</a>	14-20019
----	---	---	----------

# Communication module - AXL F RS UNI 1H - 2688666

## Approvals

KR		<a href="http://www.krs.co.kr/eng/main/main.aspx">http://www.krs.co.kr/eng/main/main.aspx</a>	HMB17372-AC002
ABS		<a href="http://www.eagle.org/eagleExternalPortalWEB/">http://www.eagle.org/eagleExternalPortalWEB/</a>	18-HG1767360-PDA
BSH			840
RINA		<a href="http://www.rina.org/en">http://www.rina.org/en</a>	ELE256518XG
EAC			EAC-Zulassung
DNV GL		<a href="https://approvalfinder.dnvgl.com/">https://approvalfinder.dnvgl.com/</a>	TAA00000DF
UL Listed		<a href="http://database.ul.com/cgi-bin/XYV/template/LISEXT/1FRAME/index.htm">http://database.ul.com/cgi-bin/XYV/template/LISEXT/1FRAME/index.htm</a>	FILE E 238705
cUL Listed		<a href="http://database.ul.com/cgi-bin/XYV/template/LISEXT/1FRAME/index.htm">http://database.ul.com/cgi-bin/XYV/template/LISEXT/1FRAME/index.htm</a>	FILE E 238705
cULus Listed			

## Accessories

Accessories

Device marking

Insert label - EMT (35X28)R - 0801602



Insert label, Roll, white, unlabeled, can be labeled with: THERMOMARK ROLLMASTER 300/600, THERMOMARK X1.2, THERMOMARK ROLL X1, THERMOMARK ROLL 2.0, THERMOMARK ROLL, mounting type: snapped into marker carrier, lettering field size: 35 x 28 mm, Number of individual labels: 500

# Communication module - AXL F RS UNI 1H - 2688666

## Accessories

---

### DIN rail connector

Bus connector - AXL F BS H - 2700992



Axioline F bus base module for housing type H

---

### Shield connection

Shield connection - AXL SHIELD SET - 2700518



Axioline shield connection set (contains 2 shield bus holders and 2 SK 5 shield connection clamps)

---

### Terminal marking

Zack marker strip - ZB 20,3 AXL UNPRINTED - 0829579



Zack marker strip for Axioline F (device labeling), in 2 x 20.3 mm pitch, unprinted, 25-section, for individual labeling with B-STIFT 0.8, X-PEN, or CMS-P1-PLOTTER

---

Zack Marker strip, flat - ZBF 10/5,8 AXL UNPRINTED - 0829580



Zack Marker strip, flat, Strip, white, unlabeled, can be labeled with: PLOTMARK, CMS-P1-PLOTTER, mounting type: snap into flat marker groove, for terminal block width: 10.15 mm, lettering field size: 4 of 10.15 x 5 mm and 1 of 5.8 x 5 mm, Number of individual labels: 50

---

---

Phoenix Contact 2020 © - all rights reserved  
<http://www.phoenixcontact.com>

PHOENIX CONTACT GmbH & Co. KG  
Flachmarktstr. 8  
32825 Blomberg  
Germany  
Tel. +49 5235 300  
Fax +49 5235 3 41200  
<http://www.phoenixcontact.com>