

Inline function terminal - IB IL CNT-XC-PAC - 2702134

Please be informed that the data shown in this PDF Document is generated from our Online Catalog. Please find the complete data in the user's documentation. Our General Terms of Use for Downloads are valid (<http://phoenixcontact.com/download>)



Inline counter terminal, version for extreme conditions, complete with accessories (connectors and marking fields), 1 counter input, 1 control input, 1 output, 24 V DC, 500 mA, 3-conductor connection technology

The figure shows the standard item

Product Description

The terminal is designed for use within an Inline station.

The counter terminal acquires and processes fast pulse sequences from sensors. It has a counter input (source), a control input (gate), and a switching output that can be freely parameterized. The switching output is set independently of the terminal. Fast response times can therefore be achieved, which are independent of both the bus and controller.

The terminal can be operated in four different operating modes: frequency measurement, event counting, time measurement, and pulse generation (pulse generator).

Your advantages

- 24 V sensor supply including monitoring
- Gate input
- 16-bit counter value for time measurement
- Four operating modes: event counting, time or state-controlled frequency measurement, time measurement (period or pulse length), and pulse generator
- Processing of 5 V or 24 V signals
- Input frequency of up to 100 kHz
- 1 counter
- 24-bit counter value for event counting and frequency measurement
- Can be used under extreme ambient conditions
- Extended temperature range of -40°C ... +70°C (see "Tested successfully: use under extreme ambient conditions" in the data sheet)
- Coated PCBs



Key Commercial Data

Packing unit	1 pc
GTIN	
GTIN	4046356981798

Inline function terminal - IB IL CNT-XC-PAC - 2702134

Technical data

Note

Utilization restriction	EMC: class A product, see manufacturer's declaration in the download area
-------------------------	---

Dimensions

Width	24.4 mm
Height	135 mm
Depth	71.5 mm
Note on dimensions	Housing dimensions

Ambient conditions

Ambient temperature (operation)	-25 °C ... 55 °C (Standard)
	-40 °C ... 70 °C (Extended, see section "Tested successfully: use under extreme ambient conditions" in the data sheet.)
Ambient temperature (storage/transport)	-40 °C ... 85 °C
Permissible humidity (operation)	10 % ... 95 % (according to DIN EN 61131-2)
Permissible humidity (storage/transport)	10 % ... 95 % (according to DIN EN 61131-2)
Air pressure (operation)	70 kPa ... 106 kPa (up to 3000 m above sea level)
Air pressure (storage/transport)	70 kPa ... 106 kPa (up to 3000 m above sea level)
Degree of protection	IP20

Connection data

Designation	Inline connector
Connection method	Spring-cage connection
Conductor cross section solid min.	0.08 mm ²
Conductor cross section solid max.	1.5 mm ²
Conductor cross section flexible min.	0.08 mm ²
Conductor cross section flexible max.	1.5 mm ²
Conductor cross section AWG min.	28
Conductor cross section AWG max.	16
Stripping length	8 mm

General

Mounting type	DIN rail
Net weight	130 g
Note on weight specifications	with connectors
Operating mode	Process data operation with 2 words
Diagnostics messages	Sensor supply short-circuit
	Sensor supply overload

Interfaces

Designation	Inline local bus
Connection method	Inline data jumper
Transmission speed	500 kbps

Inline function terminal - IB IL CNT-XC-PAC - 2702134

Technical data

Interfaces

Transmission physics	Copper
----------------------	--------

Inline potentials

Designation	Communications power (U _L)
Supply voltage	7.5 V DC (via voltage jumper)
Current consumption	typ. 40 mA
	max. 50 mA
Power consumption	max. 0.375 W (at U _L)
Designation	Segment circuit supply (U _S)
Supply voltage	24 V DC (via voltage jumper)
Current consumption	max. 1 A

Digital outputs

Output name	Switching output
Connection method	Spring-cage connection
Connection technology	2-wire
Number of outputs	1
Type of protection	Short-circuit protection
	Overload protection
Output voltage	24 V DC (Nominal voltage)
Output current	max. 0.5 A (Nominal current)
Nominal load, inductive	max. 12 VA (1.2 H, 48 Ω)
Nominal load, lamp	max. 12 W
Nominal load, ohmic	max. 12 W (48 Ω)

Electrical isolation

Test section	5 V supply, incoming remote bus/7.5 V supply (bus logics) 500 V AC 50 Hz 1 min.
	5 V supply, outgoing remote bus/7.5 V supply (bus logics) 500 V AC 50 Hz 1 min.
	7.5 V supply (bus logics)/24 V supply (I/O) 500 V AC 50 Hz 1 min.
	24 V supply (I/O) / functional earth ground 500 V AC 50 Hz 1 min.

Standards and Regulations

Connection in acc. with standard	CUL
Protection class	III, IEC 61140, EN 61140, VDE 0140-1

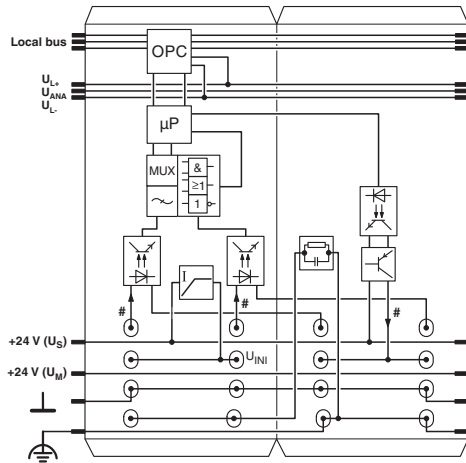
Environmental Product Compliance

China RoHS	Environmentally friendly use period: unlimited = EFUP-e
	No hazardous substances above threshold values

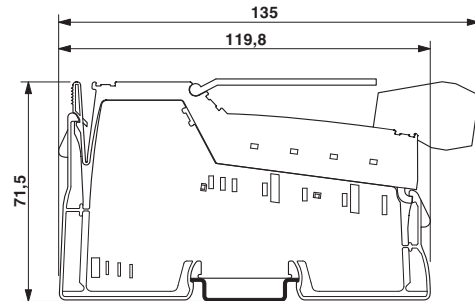
Drawings

Inline function terminal - IB IL CNT-XC-PAC - 2702134

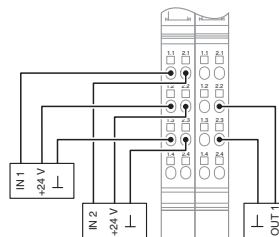
Block diagram



Dimensional drawing



Connection diagram



Approvals

Approvals

Approvals

UL Recognized / cUL Recognized / UL Recognized / cUL Recognized

Ex Approvals


Approval details


UL Recognized		http://database.ul.com/cgi-bin/XYV/template/LISEXT/1FRAME/index.htm	FILE E 140324
---------------	--	---	---------------

cUL Recognized		http://database.ul.com/cgi-bin/XYV/template/LISEXT/1FRAME/index.htm	FILE E 140324
----------------	--	---	---------------

Inline function terminal - IB IL CNT-XC-PAC - 2702134

Approvals

UL Recognized		http://database.ul.com/cgi-bin/XYV/template/LISEXT/1FRAME/index.htm	FILE E 140324
---------------	---	---	---------------

cUL Recognized		http://database.ul.com/cgi-bin/XYV/template/LISEXT/1FRAME/index.htm	FILE E 140324
----------------	---	---	---------------

Phoenix Contact 2018 © - all rights reserved
<http://www.phoenixcontact.com>

PHOENIX CONTACT GmbH & Co. KG
Flachsmarktstr. 8
32825 Blomberg
Germany
Tel. +49 5235 300
Fax +49 5235 3 41200
<http://www.phoenixcontact.com>