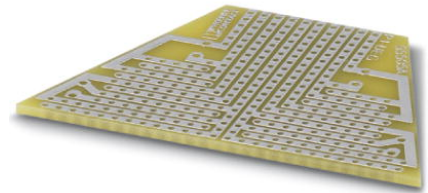


P 1-UEG

Order No.: 2790224

<http://eshop.phoenixcontact.de/phoenix/treeViewClick.do?UID=2790224>

PCB for custom fitting electronic components

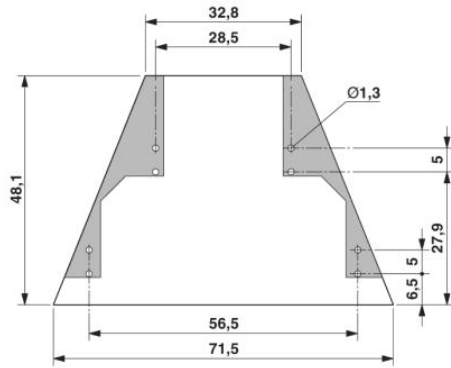
Commercial data	
GTIN (EAN)	4017918072308
sales group	F018
Pack	10 pcs.
Customs tariff	85340019
Weight/Piece	0.00693 KG
Catalog page information	Page 558 (CC-2009)

Product notesWEEE/RoHS-compliant since:
11/01/2005

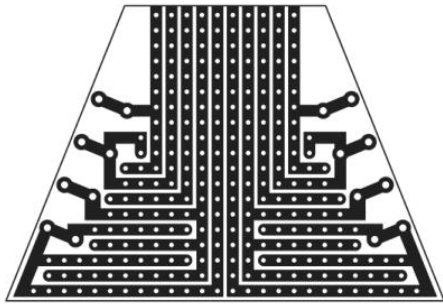
<http://www.download.phoenixcontact.com>
Please note that the data given here has been taken from the online catalog. For comprehensive information and data, please refer to the user documentation. The General Terms and Conditions of Use apply to Internet downloads.

Diagrams/Drawings

Dimensioned drawing



Schematic diagram



Address

PHOENIX CONTACT Inc., USA
586 Fulling Mill Road
Middletown, PA 17057, USA
Phone (800) 888-7388
Fax (717) 944-1625
<http://www.phoenixcon.com>



© 2010 Phoenix Contact
Technical modifications reserved;