

MCR-VDC-UI-B-DC


Order No.: 2811116



<http://eshop.phoenixcontact.de/phoenix/treeViewClick.do?UID=2811116>


MCR voltage measuring transducer, for direct current voltages from 0.. (+/-)20 V DC to 0..(+/-)660 V DC, output signal (+/-)10 V/(+/-)20 mA



Commercial data	
GTIN (EAN)	
sales group	H537
Pack	1 pcs.
Customs tariff	85437090
Catalog page information	Page 720 (IF-2011)

Product notes

WEEE/RoHS-compliant since:
07/12/2006



<http://www.download.phoenixcontact.com>
Please note that the data given here has been taken from the online catalog. For comprehensive information and data, please refer to the user documentation. The General Terms and Conditions of Use apply to Internet downloads.

Technical data	
Input data	
Input voltage range	-550 V DC ... 550 V DC
Input resistance	550 kΩ
Input voltage range	-370 V DC ... 370 V DC
Input resistance	370 kΩ

Input voltage range	-250 V DC ... 250 V DC
Input resistance	250 k Ω
Input voltage range	-170 V DC ... 170 V DC
Input resistance	170 k Ω
Input voltage range	-120 V DC ... 120 V DC
Input resistance	120 k Ω
Input voltage range	-80 V DC ... 80 V DC
Input resistance	80 k Ω
Input voltage range	-54 V DC ... 54 V DC
Input resistance	54 k Ω
Input voltage range	-36 V DC ... 36 V DC
Input resistance	36 k Ω
Nom. voltage	\pm 660 V DC (ungrounded)
	\pm 100 V DC (to earth)

Output data

Output name	Voltage output
Voltage output signal	-10 V ... 10 V
Max. output voltage	\pm 15 V
Load/output load voltage output	> 10 k Ω
Output name	Current output
Current output signal	-20 mA ... 20 mA
Max. output current	\pm 30 mA
Load/output load current output	< 500 Ω

Power supply

Supply voltage range	18.5 V DC ... 30.2 V DC
Max. current consumption	< 50 mA

Connection data

Connection method	Pluggable screw connection
Conductor cross section solid min.	0.2 mm ²
Conductor cross section solid max.	2.5 mm ²
Conductor cross section stranded min.	0.2 mm ²
Conductor cross section stranded max.	2.5 mm ²
Conductor cross section AWG/kcmil min.	24
Conductor cross section AWG/kcmil max	14

Stripping length	8 mm
Screw thread	M3
General data	
Width	22.5 mm
Height	99 mm
Depth	114.5 mm
Maximum transmission error	< 1 % (of final value)
Maximum temperature coefficient	< 0.015 %/K
Limit frequency (3 dB)	40 Hz
Alignment zero	± 20 %
Alignment span	± 20 %
Step response (10-90%)	12 ms
Ambient temperature (operation)	-25 °C ... 50 °C
Ambient temperature (storage/transport)	-40 °C ... 85 °C (without condensation)
Degree of protection	IP20
Surge voltage category	II
Pollution degree	2
Test voltage input/output	1.5 kV (50 Hz, 1 min.)
Color	green
Housing material	Polyamide PA non-reinforced
Conformance	CE-compliant
UL, USA / Canada	cULus

Certificates / Approvals



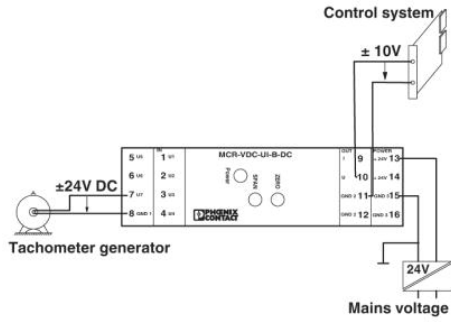
Certification

CUL, GOST, UL

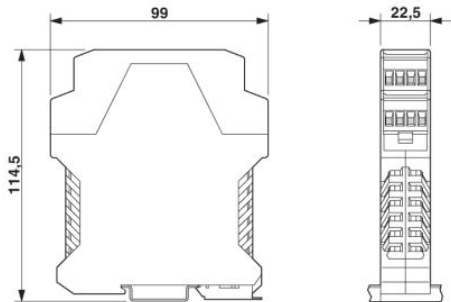
Diagrams/Drawings

Application drawing

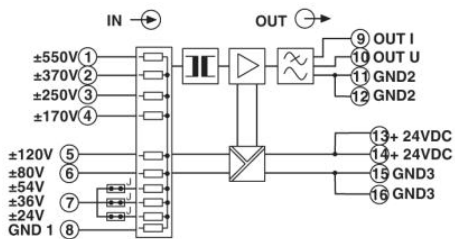
Voltage measurement in case of ungrounded circuits



Dimensioned drawing



Circuit diagram



Address

PHOENIX CONTACT Inc., USA
586 Fulling Mill Road
Middletown, PA 17057, USA
Phone (800) 888-7388
Fax (717) 944-1625
<http://www.phoenixcon.com>



© 2011 Phoenix Contact
Technical modifications reserved;