

MCR-FL-C-UI-UI-DCI-24/230

Order No.: 2814838



<http://eshop.phoenixcontact.de/phoenix/treeViewClick.do?UID=2814838>

MCR 3-way isolating amplifier, with configurable inputs/outputs, reliable isolation and wide range power supply, for electrical isolation of analog signals

Commercial data	
GTIN (EAN)	4017918190811
sales group	H500
Pack	1 pcs.
Customs tariff	85437090
Weight/Piece	0.127 KG
Catalog page information	Page 310 (IF-2007)

Product notes

WEEE/RoHS-compliant since:
09/03/2007



<http://www.download.phoenixcontact.com>
Please note that the data given here has been taken from the online catalog. For comprehensive information and data, please refer to the user documentation. The General Terms and Conditions of Use apply to Internet downloads.

Technical data

Input data	
Description of the input	Current input
Configurable/programmable	Yes, can be reconnected/switched
Current input signal	0 mA ... 20 mA (default setting)
	4 mA ... 20 mA

Max. input current	Approx. 22 mA
Voltage dissipation	Approx. 250 mV (at 20 mA)
Description of the input	Voltage input
Voltage input signal	0 V ... 10 V
Max. input voltage	11 V
Input resistance of voltage input	Approx. 1 M Ω

Output data

Configurable/programmable	Yes, can be switched
Voltage output signal	0 V ... 10 V
Current output signal	0 mA ... 20 mA (default setting) 4 mA ... 20 mA
Max. output voltage	11 V
Max. output current	Approx. 22 mA
Load/output load voltage output	≥ 1 k Ω (at 10 V)
Load/output load current output	≤ 600 Ω (at 20 mA)

Power supply

Range of supply voltages	20 V AC/DC ... 253 V AC/DC
Max. current consumption	30 mA (Without load current)
Power consumption	Approx. 2 VA (AC) Approx. 1 W (DC)

Connection data

Type of connection	Pluggable screw connection
Conductor cross section solid min.	0.2 mm ²
Conductor cross section solid max.	2.5 mm ²
Conductor cross section stranded min.	0.2 mm ²
Conductor cross section stranded max.	2.5 mm ²
Conductor cross section AWG/kcmil min.	24
Conductor cross section AWG/kcmil max	14
Stripping length	8 mm
Screw thread	M3

General data

No. of channels	1
Width	12.5 mm

Height	99 mm
Depth	114.5 mm
Transmission error, max.	≤ 0.1 % (of end value)
Maximum temperature coefficient	0.005 %/K
Limit frequency (3 dB)	< 10 Hz (can be switched)
	Approx. 10 kHz (default setting, 10 Hz can be switched)
Step response (10-90%)	35 ms (at 10 Hz)
	35 μs (at 10 kHz)
Protective circuitry	Transient protection
Ambient temperature (operation)	-10 °C ... 70 °C
Degree of protection	IP20
Color	green
Housing material	Polyamide PA non-reinforced
Mounting position	Any
Conformity	EMC directive 2004/108/EC

Certificates / Approvals

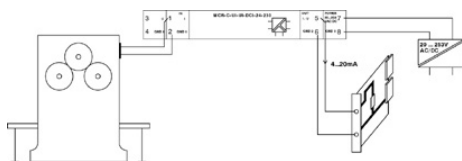


Certification

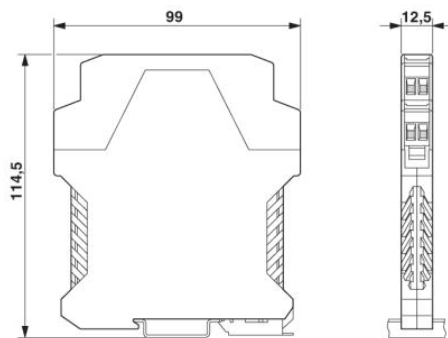
CUL, GOST, UL

Diagrams/Drawings

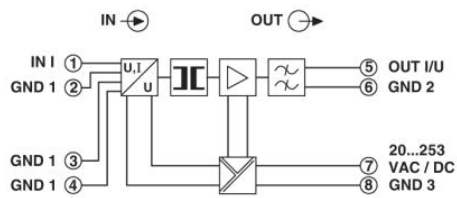
Application drawing



Dimensioned drawing



Circuit diagram



Address

PHOENIX CONTACT Inc., USA
586 Fulling Mill Road
Middletown, PA 17057, USA
Phone (800) 888-7388
Fax (717) 944-1625
<http://www.phoenixcon.com>



© 2010 Phoenix Contact
Technical modifications reserved;