

UFBK-M 2-PE- 48AC-ST

This item is no longer available. Should you have any questions, please contact our Sales Team.


Order No.: 2817068



<http://eshop.phoenixcontact.de/phoenix/treeViewClick.do?UID=2817068>

Protective plug UFBK-M with two conductor protection in floating signal circuits. Nominal voltage: 48 V AC

Commercial data

GTIN (EAN)	 4 017918 129835
Note	Made-to-order
sales group	J221
Pack	10 pcs.
Customs tariff	85363010

Product notes

WEEE/RoHS-compliant since:
06/14/2006



<http://www.download.phoenixcontact.com>
Please note that the data given here has been taken from the online catalog. For comprehensive information and data, please refer to the user documentation. The General Terms and Conditions of Use apply to Internet downloads.

Technical data

General

Housing material	PA
Inflammability class acc. to UL 94	V2
Ambient temperature (operation)	-40 °C ... 80 °C
Degree of protection	IP20
Arrester can be tested with TT-Tester from software version:	From SW rev. 6.00

Arrester can be tested with CHECKMASTER from software version:	From SW rev. 1.00
Pitch unit	1 Div.
Protective circuit	
Nominal voltage U_N	48 V AC
Nominal current I_N	2 A
Operating effective current I_c at U_c	100 μ A
Nominal discharge surge current I_n (8/20) μ s (Core-Core)	10 kA
Nominal discharge surge current I_n (8/20) μ s (Core-Earth)	10 kA
Output voltage limitation at 1 kV/ μ s (Core-Core) static	(<1,8 U_{max})
Output voltage limitation at 1 kV/ μ s (Core-Earth) static	\leq 550 V
Response time t_A (Core-Core)	\leq 1 ns
Response time t_A (Core-Earth)	\leq 100 ns
Resistance in series	< 100 m Ω (Path 1-3) < 100 m Ω (Path 2-4)

Connection data	
Connection method	Screw connection
Screw thread	M3
Stripping length	8 mm
Conductor cross section stranded min.	0.2 mm ²
Conductor cross section stranded max.	2.5 mm ²
Conductor cross section solid min.	0.2 mm ²
Conductor cross section solid max.	4 mm ²
Conductor cross section AWG/kcmil min.	24
Conductor cross section AWG/kcmil max	12

Certificates / Approvals

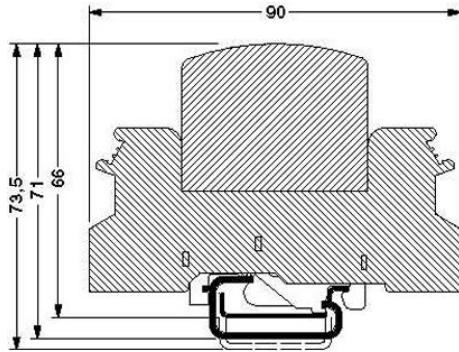


Certification

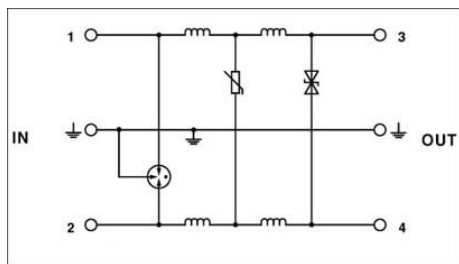
GOST

Diagrams/Drawings

Dimensioned drawing



Circuit diagram



Address

PHOENIX CONTACT Inc., USA
586 Fulling Mill Road
Middletown, PA 17057, USA
Phone (800) 888-7388
Fax (717) 944-1625
<http://www.phoenixcon.com>



© 2011 Phoenix Contact
Technical modifications reserved;