

Please note that the data given here has been taken from the online catalog. For comprehensive information and data, please refer to the user documentation at <http://www.download.phoenixcontact.com>. The General Terms and Conditions of Use apply to Internet downloads.

► Extract from the online catalog



Attachment plug with replaceable surge protection for coaxial signal interfaces. Connection: N connector male/female connector

Order No.	2818148
Ord designation	CN-UB-280DC-SB
EAN	4017918148379
Pack	1 Pcs.
Customs tariff	85363010
Catalog page information	Page 134 (TT-2005)

► Technical data

General

Housing material	Aluminum
Color	Aluminum
Standards for air and creepage distances	DIN VDE 0110-1
Standards for air and creepage distances	IEC 60664-1: 1992-10
Surge voltage category	III
Degree of contamination	2
Ambient temperature (operation)	-25 °C ... 80 °C
Mounting type	Adapter
Design	Attachment plug
Degree of protection	IP55
Direction of action	Ader-Schirm/Erde

Protective circuit

IEC category	C2
IEC category	C3
IEC category	D1
VDE requirement class	C2
VDE requirement class	C3
VDE requirement class	D1
Max. operating voltage U_{max}	280 V DC
Arrester rated voltage U_c (Core-Earth)	280 V DC
Nominal current I_N	5 A (25°C)
Operating current I_c at U_c	
Nominal discharge surge current I_n (8/20) μ s (Core-Earth)	20 kA
Nominal discharge surge current I_n (8/20) μ s (Core-Shield)	20 kA
Nominal power pulse current I_{an} (10/1000) μ s (Core-Shield)	
Output voltage limitation at 1 kV/ μ s (Core-Earth) spike	
Output voltage limitation at 1 kV/ μ s (Core-Earth) static	
Output voltage limitation at 1 kV/ μ s (Core-Shield) static	
Protection level U_p (Core-Earth)	
Response time t_A (Core-Earth)	
Input attenuation a_E , asym.	0.1 dB (in a 50 Ω system up to 1.2 GHz)
Input attenuation a_E , asym.	0.2 dB (in a 50 Ω system up to 2,2 GHz)
Cut-off frequency f_g (3 dB), asym. (shield) in 50 Ohm system	> 3 GHz (typical)
Standing wave ratio SWR (50 Ohm system)	
Permissible HF power P_{max} at SWR=xx (50 Ohm system)	700 W (at SWR = 1.1 in a 50 Ω system)
Permissible HF power P_{max} at SWR=xx (50 Ohm system)	200 W (at SWR = infinity in a 50 Ω system)
Capacity (Core-GND)	1.5 pF (PE typical)
Capacity asymmetrical (shield)	1.5 pF (typical)

General

Type of connection	N-Connector
Connection type IN	N connector, male
Connection type OUT	N connector, female

Connection, protective circuit

Standards/regulations	IEC 61643-21
-----------------------	--------------

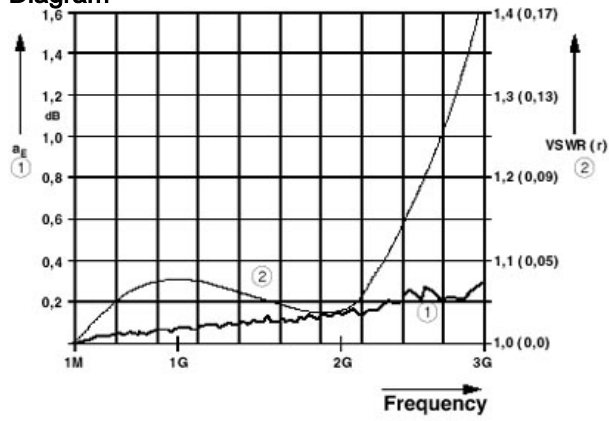
► **Certificates**

UL

Nominal voltage U_N	280 V
Nominal current I_N	5 A

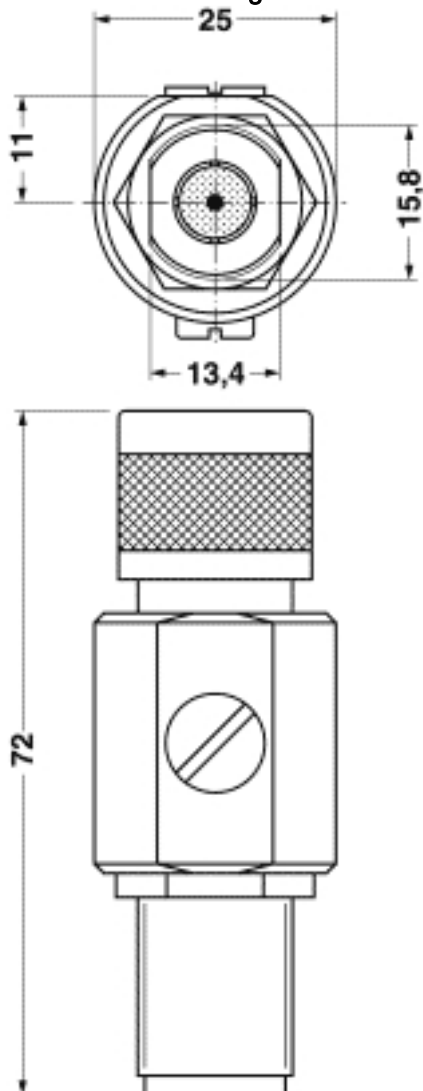
► Drawings

Diagram

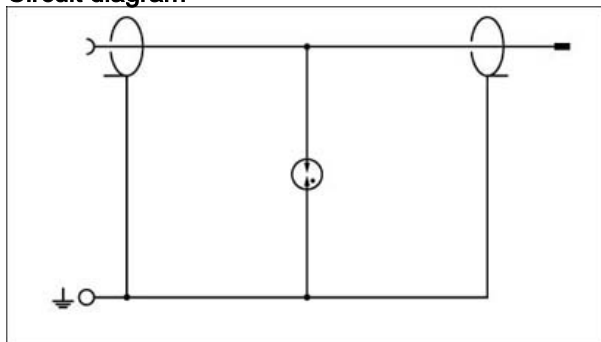


- ① Typical attenuation curve CN-UB-280DC...
- ② Typical SWR on CN-UB-280DC...

Dimensioned drawing



Circuit diagram



► Accessories

Item	Designation	Description
Assembly		
2818135	CN-UB/MP	Mounting plate for CN-UB...

► Additional products

Item	Designation	Description
Assembly		
2818135	CN-UB/MP	Mounting plate for CN-UB...

► Address

PHOENIX CONTACT GmbH & Co. KG
Flachsmarktstr. 8
32825 Blomberg
Germany
Phone +49 5235 3 00
Fax +49 5235 3 41200
<http://www.phoenixcontact.com>
Phoenix Contact
Technical modifications reserved;