

## RC3-120-230UC

Order No.: 2833916



<http://eshop.phoenixcontact.de/phoenix/treeViewClick.do?UID=2833916>

Plug-in module, for mounting on PR3, with RC element, input voltage:  
120-230 V AC/DC  $\pm$  20%

Commercial data	
GTIN (EAN)	4017918938987
Note	Made-to-order
sales group	G381
Pack	10 pcs.
Customs tariff	85366990
Weight/Piece	0.00843 KG
Catalog page information	Page 66 (IF-2009)

### Product notes

WEEE/RoHS-compliant since:  
01/08/2007

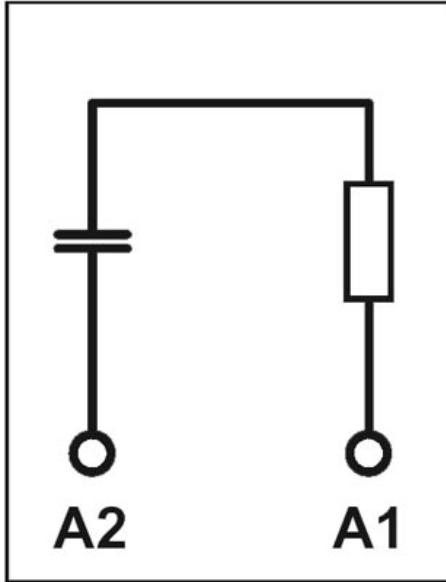


<http://www.download.phoenixcontact.com>  
Please note that the data given here has been taken from the online catalog. For comprehensive information and data, please refer to the user documentation. The General Terms and Conditions of Use apply to Internet downloads.

**Diagrams/Drawings**

Circuit diagram

---



**Address**

PHOENIX CONTACT Inc., USA  
586 Fulling Mill Road  
Middletown, PA 17057, USA  
Phone (800) 888-7388  
Fax (717) 944-1625  
<http://www.phoenixcon.com>



© 2010 Phoenix Contact  
Technical modifications reserved;