


# REL-OR-230AC/2X21

Order No.: 2834261

<http://eshop.phoenixcontact.de/phoenix/treeViewClick.do?UID=2834261>

Pluggable octal relay with power contacts, 2 PDT, test button,  
mechanical switching position indication, coil voltage 230 V AC

## Commercial data

|                          |   |
|--------------------------|---|
| GTIN (EAN)               | <br>4 017918 941871 |
| sales group              | G082  |
| Pack                     | 10 pcs.   |
| Customs tariff           | 85364900  |
| Catalog page information | Page 70 (IF-2011)   |

## Product notes

WEEE/RoHS-compliant since:  
09/07/2006



<http://www.download.phoenixcontact.com>  
Please note that the data given here has been taken from the online catalog. For comprehensive information and data, please refer to the user documentation. The General Terms and Conditions of Use apply to Internet downloads.

## Technical data

### Coil side

|                                   |  |
|-----------------------------------|--|
| Nominal input voltage $U_N$       | 230 V AC   |
| Nominal input current at $U_{IN}$ | 10 mA (at 50 Hz)<br>11 mA (At 60 Hz)             |
| Typical response time             | 5 ms ... 20 ms (AC, depending on phase relation) |

|                            |  |
|----------------------------|--|
| Typical release time range | 5 ms ... 20 ms (AC, depending on phase relation) |
| Coil resistance            | 6170 $\Omega$ +/-15% (at 20°C)                   |

#### Contact side

|                                       |                        |
|---------------------------------------|------------------------|
| Contact type                          | Single contact, 2-PDT  |
| Contact material                      | AgSnIn                 |
| Maximum switching voltage             | 250 V AC/DC            |
| Minimum switching voltage             | 1 V                    |
| Maximum inrush current                | (on request)           |
| Min. switching current                | 10 mA                  |
| Limiting continuous current           | 10 A                   |
| Interrupting rating (ohmic load) max. | 2500 VA (for 250 V AC) |

#### General data

|  |                             |
|--|-----------------------------|
| Width                                    | 34.5 mm                     |
| Height                                   | 34.5 mm                     |
| Depth                                    | 52.5 mm                     |
| Test voltage relay winding/relay contact | 2.5 kV AC (50 Hz, 1 min.)   |
| Test voltage relay contact/relay contact | 2.5 kV AC (50 Hz, 1 min.)   |
| Ambient temperature (operation)          | -40 °C ... 60 °C            |
| Ambient temperature (storage/transport)  | -40 °C ... 60 °C            |
| Operating mode                           | 100% operating factor       |
| Mechanical service life                  | 10 x 10 <sup>6</sup> cycles |
| Standards/regulations                    | IEC 60664                   |
| Pollution degree                         | 3                           |
| Surge voltage category                   | II                          |
| Mounting position                        | Any                         |
| Assembly instructions                    | On relay base PR3           |

#### Connection data

|                   |                 |
|-------------------|-----------------|
| Connection method | Plug connection |
|-------------------|-----------------|

#### Certificates / Approvals

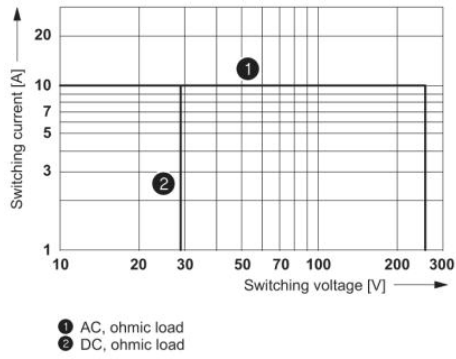


Certification

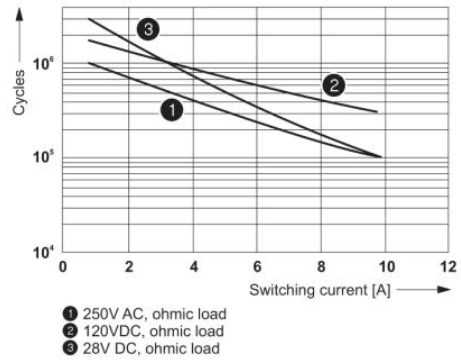
CUL, TUEV-RH, UL

**Diagrams/Drawings**

Diagram

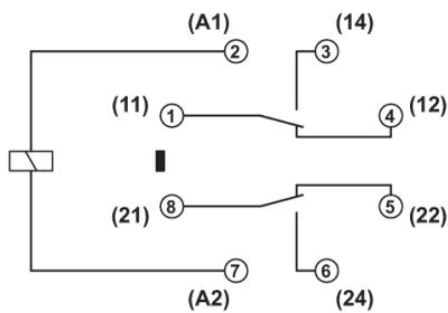


Interrupting rating



Electrical service life

Circuit diagram



**Address**

PHOENIX CONTACT Inc., USA  
586 Fulling Mill Road  
Middletown, PA 17057, USA  
Phone (800) 888-7388  
Fax (717) 944-1625  
<http://www.phoenixcon.com>



© 2011 Phoenix Contact  
Technical modifications reserved;