

## FLT 100 N/PE CTRL-1.5

This item is no longer available. Should you have any questions, please contact our Sales Team.


Order No.: 2856388



<http://eshop.phoenixcontact.de/phoenix/treeViewClick.do?UID=2856388>

Lightning current arrester with encapsulated N-PE spark gap and ignition electronics, 1-channel. Protection level: 1.5 kV. Housing width: 35 mm (2 Div.)

### Commercial data

GTIN (EAN)	 4 017918 890858
sales group	J013
Pack	1 pcs.
Customs tariff	85363030
Catalog page information	Page 19 (TT-2009)

### Product notes

WEEE/RoHS-compliant since:  
05/08/2006



<http://www.download.phoenixcontact.com>  
Please note that the data given here has been taken from the online catalog. For comprehensive information and data, please refer to the user documentation. The General Terms and Conditions of Use apply to Internet downloads.

### Technical data

#### Standards

Housing material	PBT
Inflammability class acc. to UL 94	V0
Color	black

Standards for air and creepage distances	EN 60664-1
	EN61643-11
Degree of protection	IP20
Mounting type	DIN rail: 35 mm
Design	Rail-mountable module, one-piece
Ambient temperature (operation)	-40 °C ... 85 °C
Permissible humidity (operation)	≤ 95 %
Direction of action	N-PE
Width	35.80 mm
Height	65.70 mm
Length	90.00 mm
Pitch unit	2 Div.

#### Protective circuit

IEC category	I
	T1
EN type	T1
Nominal voltage $U_N$	230 V AC (400 V AC / TN, TT)
Arrester rated voltage $U_C$	260 V AC
Arrester rated voltage $U_C$ (N-PE)	260 V AC
$U_T$ (TOV-safe)	1200 V AC (200 ms)
Nominal frequency $f_N$	50 Hz
	60 Hz
Ground conductor current $I_{PE}$	≤ 0.1 mA
Standby power consumption $P_C$	≤ 26 mVA
Max. discharge surge current $I_{max}$ (8/20) $\mu$ s	100 kA
Max. discharge surge current $I_{max}$ (8/20) $\mu$ s maximum (N-PE)	100 kA
Nominal discharge surge current $I_n$ (8/20) $\mu$ s	100 kA
Nominal discharge surge current $I_n$ (8/20) $\mu$ s (N-PE)	100 kA
Lightning test current (10/350) $\mu$ s, charge	50 As
Lightning test current (10/350) $\mu$ s, specific energy	2.50 MJ/ $\Omega$
Lightning test current (10/350) $\mu$ s, peak value $I_{imp}$	100 kA
Impulse operate voltage at 6 kV (1.2/50) $\mu$ s	≤ 1.5 kV
Impulse operate voltage at 6 kV (1.2/50) $\mu$ s (N-PE)	≤ 1.5 kV

Protection level $U_p$	$\leq 1.5$ kV
Protection level UP (N-PE)	$\leq 1.5$ kV
Response time	$\leq 100$ ns
Response time (N-PE)	$\leq 100$ ns
Follow current quenching capacity $I_f$	100 A
Follow current quenching capacity $I_f$ (N-PE)	100 A

**Connection, protective circuit**

Connection method	Screw connection
Connection type IN	Biconnect screw terminal block
Connection type OUT	Biconnect screw terminal block
Connection method	Biconnect terminal block
Screw thread	M6
Tightening torque	8 Nm
Stripping length	19 mm
Conductor cross section stranded min.	16 mm <sup>2</sup>
Conductor cross section stranded max.	35 mm <sup>2</sup>
Conductor cross section solid min.	10 mm <sup>2</sup>
Conductor cross section solid max.	50 mm <sup>2</sup>
Conductor cross section AWG/kcmil min.	6
Conductor cross section AWG/kcmil max	1

**Standards**

Standards/regulations	IEC 61643-1 2005
	DIN EN 61643-11 2002
	DIN EN 61643-11/A11 2007

**Certificates / Approvals**



Certification

GOST

**Accessories**

Item	Designation	Description
------	-------------	-------------

**Assembly**

3022218	CLIPFIX 35	Snap-on end bracket, for 35 mm NS 35/7.5 or NS 35/15 DIN rail, can be fitted with Zack strip ZB 8 and ZB 8/27, terminal strip marker KLM 2 and KLM, width: 9.5 mm, color: gray
---------	------------	--

**Bridges**

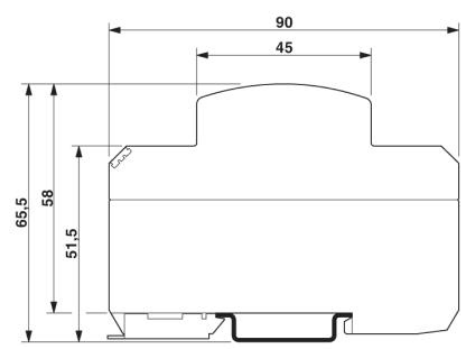
2858470	MPB 18/1- 8 BU	Wiring bridge for modules with connecting pitch 17.5 mm, 1-phase, 8-pos., color: Blue
---------	----------------	---

**Marking**

1051993	B-STIFT	Marker pen, for manual labeling of unprinted Zack strips, smear-proof and waterproof, line thickness 0.5 mm
2749589	ZBN 18,LGS:ERDE	Marking labels, printed horizontally, strips with 5 labels, GND (grounding symbol), color: White
2749576	ZBN 18,LGS:L1-N,ERDE	Marker labels, printed horizontally, strips with 5 labels, L1, L2, L3, N, GND, color: white
0800763	ZBN 18:SO/CMS	Marker labels, 5-section, special printing, labeled according to customer requirements (Please specify the required marking with order), for terminal width: 17.5 mm, color: White
2809128	ZBN 18:UNBEDRUCKT	Unprinted marker labels, strips with 5 labels for individual labeling with M-PEN or CMS system, for terminal block width: 17.5 mm, color: White

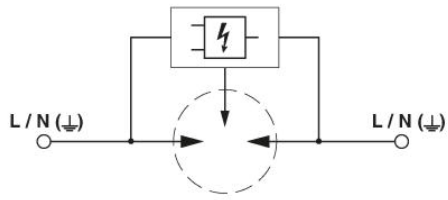
**Diagrams/Drawings**

Dimensioned drawing



Circuit diagram

---



**Address**

PHOENIX CONTACT Inc., USA  
586 Fulling Mill Road  
Middletown, PA 17057, USA  
Phone (800) 888-7388  
Fax (717) 944-1625  
<http://www.phoenixcon.com>



© 2011 Phoenix Contact  
Technical modifications reserved;