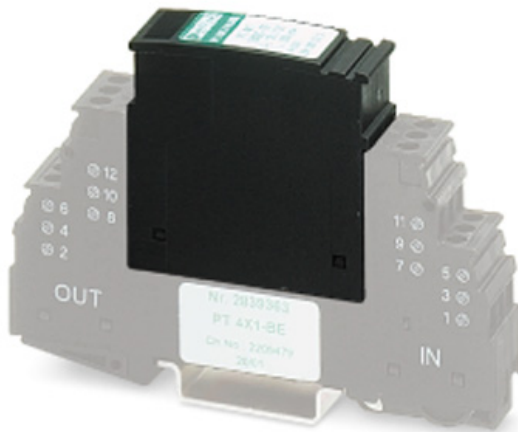


Please note that the data given here has been taken from the online catalog. For comprehensive information and data, please refer to the user documentation at <http://www.download.phoenixcontact.com>. The General Terms and Conditions of Use apply to Internet downloads.

▶ Extract from the online catalog



Surge protection plug for the base element, common mode voltage coarse and fine protection for four lines with a common reference potential. Design: 48 V DC

The illustration shows version PT 4x1- 5 DC-ST

Order No.	2858014
Ord designation	PT 4X1-48DC-ST
EAN	4017918828325
Pack	10 Pcs.
Customs tariff	85363010
Catalog page information	Page 55 (TT-2005)

▶ Technical data

General

Inflammability class acc. to UL 94	V0
Color	black
Ambient temperature (operation)	-40 °C ... 85 °C
Mounting type	On base element
Design	DIN rail module, two-section, divisible
Degree of protection	IP20
Direction of action	Ader-Ader & Ader-Ground/Schirm & optional Ground/Schirm-Erde

Protective circuit

IEC category	C1
IEC category	C2
IEC category	C3
VDE requirement class	D1
Nominal voltage U_N	48 V DC
Arrester rated voltage U_c (Core-Earth)	53 V DC
Arrester rated voltage U_c (Core-Earth)	37 V AC
Nominal current I_N	300 mA (at 40°C)
Nominal discharge surge current I_n (8/20) μ s (Core-Earth)	10 kA
Max. discharge surge current I_{max} (8/20) μ s maximum (Core-Earth)	20 kA (in total)
Lightning test current (10/350) μ s, peak value I_{imp}	2.5 kA (per path)
Output voltage limitation at 1 kV/ μ s (Core-Earth) spike	
Residual voltage at I_n , (conductor-ground)	
Response time t_A (Core-Earth)	
Resistance in series	4.7 (Path 1-2/5-6)
Resistance in series	4.7 (Path 7-8, path 11-12)

General

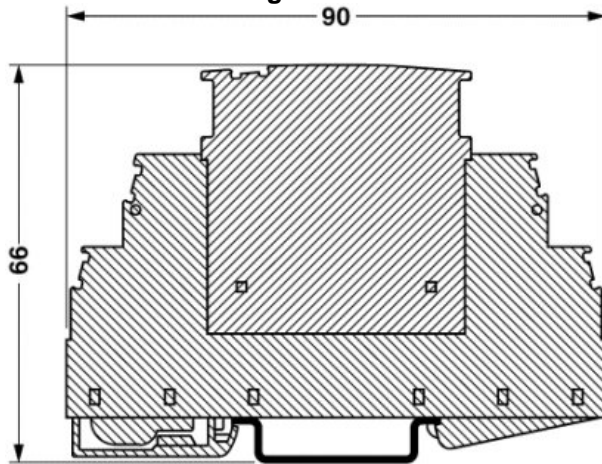
Type of connection	PLUGTRAB plug-in system
Connection type IN	PLUGTRAB plug-in system
Connection type OUT	PLUGTRAB plug-in system
Tightening torque, min	0.5 Nm

Connection, protective circuit

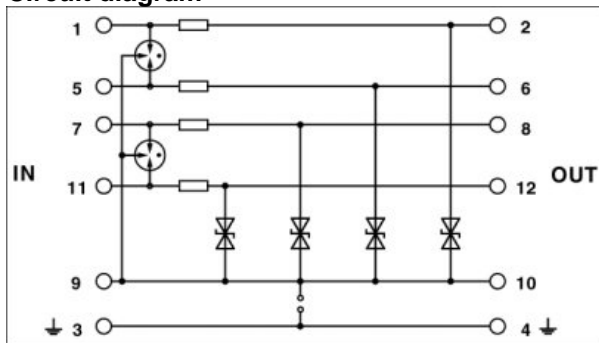
Standards/regulations	IEC 61643-21
Standards/regulations	E VDE 0845-3-1

► Drawings

Dimensioned drawing



Circuit diagram



► Accessories

Item	Designation	Description
Marking		
1050004	ZB 5 :UNBEDRUCKT	Zack strip, unprinted, 10-section, for individual labeling with M-PEN, ZB-T or CMS system, pack is sufficient for 100 terminal blocks, for a terminal width of 5.2 mm, color: White
2715212	ZB 5,8,LGS:FORTL.ZAHLEN	Zack marker strip, 10-section, printed horizontally: with consecutive numbers, 1-10, 11-20 etc. up to 991-1000, color: white
1050305	ZB 5,8:SO/CMS	Zack strip, 10-section, divisible, special printing, marking according to customer requirements
2715209	ZB 5,8:UNBEDRUCKT	Zack strip, unprinted, strips with 10 labels for individual labeling with M-PEN or CMS system, for terminal block width: 5.8 mm, color: White
1050017	ZB 5,LGS:FORTL.ZAHLEN	Zack strip, 10-section, printed horizontally: with the numbers, 1-10, 11-20 etc. up to 991-1000, color: white
1050415	ZB 5,LGS:L1-N,PE	Zack strip, printed horizontally, strips with 10 labels, L1, L2, L3, N, PE, L1, L2, L3, N, PE, color: white
1050295	ZB 5:SO/CMS	Zack strip, 10-section, divisible, special printing, marking according to customer requirements

► Additional products

Item	Designation	Description
Assembly		
2839295	SSA 3-6	Shield fast connection for diameter 3-6 mm
2839512	SSA 5-10	Shield fast connection for diameter 5 -10 mm

► Address

PHOENIX CONTACT GmbH & Co. KG
Flachsmarktstr. 8
32825 Blomberg
Germany
Phone +49 5235 3 00
Fax +49 5235 3 41200
<http://www.phoenixcontact.com>
Phoenix Contact
Technical modifications reserved;