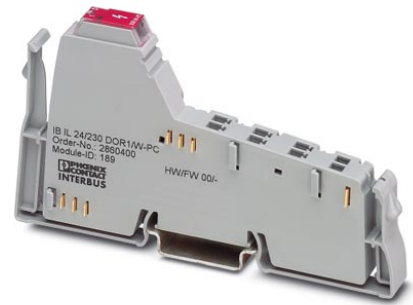


IB IL 24/230 DOR1/W-PC

Order No.: 2860400

<http://eshop.phoenixcontact.de/phoenix/treeViewClick.do?UID=2860400>

Inline digital output terminal block, without accessories, 1 relay PDT contact, 5 - 253 V AC, 3 A



<http://www.download.phoenixcontact.com>
Please note that the data given here has been taken from the online catalog. For comprehensive information and data, please refer to the user documentation. The General Terms and Conditions of Use apply to Internet downloads.

Commercial data

GTIN (EAN)	4017918877026
Note	Made-to-order
sales group	K411
Pack	1 pcs.
Customs tariff	85389091
Weight/Piece	0.0645 KG
Catalog page information	Page 71 (AX-2007)

Product description

The terminal is designed for use within an Inline station. It has a floating SPDT relay contact. The terminal block is suitable for switching inductive loads. The terminal can be used in the SELV area and in the AC area. Observe the appropriate regulations and safety notes when using the terminal in the AC area. Please use the IB IL 24/230 DOR 1/W terminal for switching voltages under 12 V or currents under 100 mA.

Features:

- Safe isolation according to EN 50178
- Floating connection for one actuator
- Nominal current at the output: 2.2 A
- Total current of the terminal: 2.6 A
- Diagnostic and status indicators

Technical data

Interface

Name	Local bus
Type of connection	Inline data jumper
Transmission speed	500 kBaud

Digital outputs

Output name	Relay output
Type of connection	Spring-cage connection
Connection method	Floating SPDT relay contact
Number of outputs	1
Protective circuitry	Overload protection, short circuit protection of outputs
Maximum output current per channel	2.6 A
Maximum output current per module	2.6 A

Power supply for module electronics

Supply voltage	24 V DC (nominal value)
Range of supply voltages	19.2 V DC ... 30 V DC
Communications voltage U_L	7.5 V (via voltage jumper)
Current consumption	max. 60 mA (from the local bus)
Power consumption	max. 0.45 W (from the local bus)

General data

Width	12.2 mm
Height	119.8 mm
Depth	71.5 mm
Note on dimensions	Housing dimensions
Weight	46 g
Note on weight specifications	Without plug
Mounting type	DIN rail
Ambient temperature (operation)	-25 °C ... 55 °C
Ambient temperature (storage/transport)	-25 °C ... 85 °C
Permissible humidity (operation)	75 % ... 85 % (in the range of -25°C ... +55°C, appropriate measures against increased humidity (> 85%) must be taken.)
Permissible humidity (storage/transport)	75 % ... 85 % (slight temporary condensation may sometimes appear on the housing)
Air pressure (operation)	70 kPa ... 106 kPa (up to 3000 m above sea level)

Air pressure (storage/transport)	70 kPa ... 106 kPa (up to 3000 m above sea level)
Degree of protection	IP20
Class of protection	Class 3 as per VDE 0106, IEC 61440
Test section	Relay contact / Bus logics 4 kV 50 Hz 1 min
	Contact to contact 1 kV 50 Hz 1 min
	Contact / PE 1 kV 50 Hz 1 min

Inline potential routing

Communications voltage U_L	7.5 V
Current consumption from U_L	max. 60 mA
Current consumption from U_{ANA}	0 A DC

Certificates / Approvals



Certification CUL, GOST, UL

CUL

Nominal voltage U_N	240 V
Nominal current I_N	3 A

UL

Nominal voltage U_N	240 V
Nominal current I_N	3 A

Accessories

Item	Designation	Description
General		
2742641	IB IL DOR LV-SET	Inline distance terminal, without accessories
2742641	IB IL DOR LV-SET	Inline distance terminal, without accessories
2861645	IB IL DOR LV-SET-PAC	Inline distance terminal, complete with accessories

Literature

2745554	IB IL SYS PRO UM	User Manual, German, for configuring and installing the INTERBUS Inline product range
---------	------------------	---

Marking

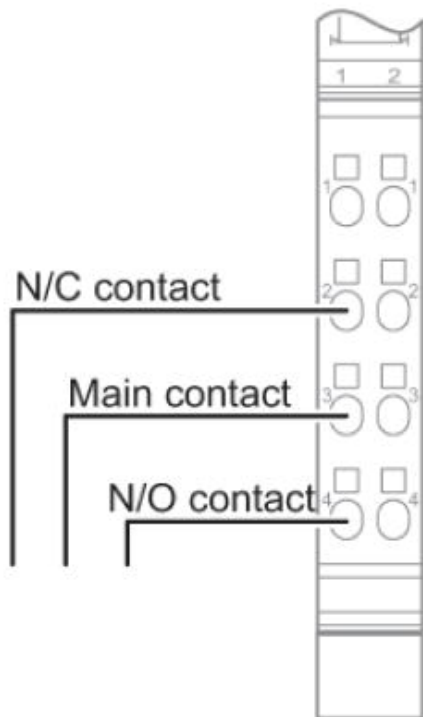
0809492	ESL 62X10	Insert strip for laser printer, lettering field: 62 x 10 mm
0809502	ESL 62X46	Insert strip for laser printer, lettering field: 62 x 46 mm
2727501	IB IL FIELD 2	Labeling field, width: 12.2 mm
2727515	IB IL FIELD 8	Labeling field, width: 48.8 mm

Plug/Adapter

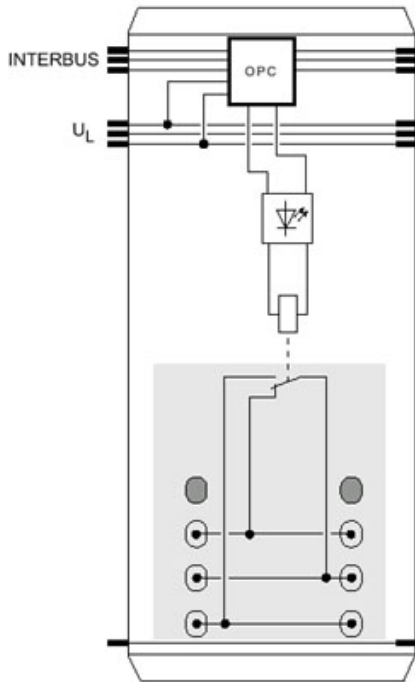
2742667	IB IL DOR LV-PLSET	Connector set for distance terminal
2740290	IB IL SCN-8-AC-REL	Plug, for digital 1, 2 or 8-channel Inline terminals with AC voltage

Diagrams/Drawings

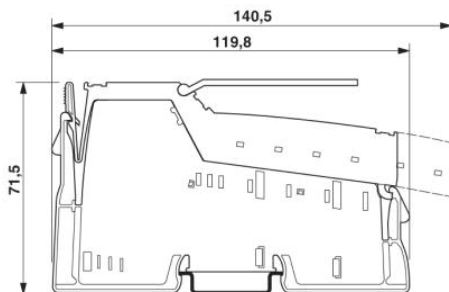
Connection diagram



Block diagram



Dimensioned drawing



Address

PHOENIX CONTACT Inc., USA
586 Fulling Mill Road
Middletown, PA 17057, USA
Phone (800) 888-7388
Fax (717) 944-1625
<http://www.phoenixcon.com>



© 2010 Phoenix Contact
Technical modifications reserved;