

## IB IL AI 2/SF-PAC

Order No.: 2861302



<http://eshop.phoenixcontact.de/phoenix/treeViewClick.do?UID=2861302>

Inline analog input terminal block, complete with accessories (connector and labeling field), 2 inputs, 0-20 mA, 4-20 mA, 20 mA, 0-10 V, 10 V, 2-wire connection method



### Product notes

WEEE/RoHS-compliant since:  
07/09/2007



<http://www.download.phoenixcontact.com>  
Please note that the data given here has been taken from the online catalog. For comprehensive information and data, please refer to the user documentation. The General Terms and Conditions of Use apply to Internet downloads.

### Commercial data

GTIN (EAN)	4017918894245
sales group	K412
Pack	1 pcs.
Customs tariff	85389091
Weight/Piece	0.0998 KG
Catalog page information	Page 280 (AX-2009)

### Product description

The analog Inline input terminals are suited for connecting conventional sensors for the acquisition of current and voltage signals.

Particular features of the modules are:

- High accuracy of measurement
- Extremely rapid acquisition of measurement values

- Excellent noise suppression and common mode rejection, and
- Measurement value acquisition with a resolution of 16 bits

It goes without saying that you also have advantages in handling with the analog Inline input terminals, such as multi-wire connection or the automatic contact with the grounding conductor when the terminal is snapped onto the DIN rail.

The Inline terminals can be labeled using hinged labeling fields. The fields have insert cards that can be labeled individually to suit the application. Additionally, there is the proven ZBFM-6... Zack strip for labeling the terminal points.

## Technical data

### General data

Width	12.2 mm
Height	136.8 mm
Depth	71.5 mm
Weight	47 g
Mounting type	DIN rail
Ambient temperature (operation)	-25 °C ... 55 °C
Ambient temperature (storage/transport)	-25 °C ... 85 °C
Permissible humidity (operation)	10 % ... 95 % (according to DIN EN 61131-2)
Permissible humidity (storage/transport)	10 % ... 95 % (according to DIN EN 61131-2)
Air pressure (operation)	70 kPa ... 106 kPa (up to 3000 m above sea level)
Air pressure (storage/transport)	70 kPa ... 106 kPa (up to 3000 m above sea level)
Degree of protection	IP20
Class of protection	Class 3 as per VDE 0106, IEC 61440
Test section	5 V supply, incoming remote bus/7.5 V supply (bus logics) 500 V AC 50 Hz 1 min
	5 V supply, outgoing remote bus/7.5 V supply (bus logics) 500 V AC 50 Hz 1 min
	7.5 V supply (bus logics), 24 V supply UANA / I/O 500 V AC 50 Hz 1 min
	7.5 V supply (bus logics), 24 V supply UANA / functional earth ground 500 V AC 50 Hz 1 min
	I/O / functional earth ground 500 V AC 50 Hz 1 min

### Interface

Name	Inline local bus
Type of connection	Inline data jumper
Transmission speed	500 kbps
	500 kBit/s
Transmission physics	Copper

### Inline potential routing

Communications voltage $U_L$	7.5 V DC (via voltage jumper)
Current consumption from $U_L$	max. 60 mA
	Typ. 45 mA
Current consumption from $U_S$	0 A DC
I/O supply voltage $U_{ANA}$	24 V DC
Current consumption from $U_{ANA}$	max. 18 mA
	Typ. 13 mA

### Analog inputs

Number of inputs	max. 2 (single ended)
Connection method	2-wire (shielded)
Input name	Analog inputs
A/D conversion time	Approx. 120 $\mu$ s (per channel)
Resolution A/D	16 Bit
Limit frequency (3 dB)	40 Hz
Data formats	IL, IB ST, IB RT, standardized display
Representation of measured value	16 bits (15 bits + sign bit)
Current input signal	0 mA ... 20 mA
	4 mA ... 20 mA
	-20 mA ... 20 mA
Voltage input signal	0 V ... 10 V
	-10 V ... 10 V
Input resistance of voltage input	< 220 k $\Omega$
Precision	0.02 %
Number of inputs	2 (single-ended voltage inputs)
Voltage input signal	0 V ... 10 V
	-10 V ... 10 V
Input resistance of voltage input	220 k $\Omega$
Number of inputs	2 (single-ended current inputs)
Current input signal	0 mA ... 20 mA
	4 mA ... 20 mA
	-20 mA ... 20 mA
Input resistance current input	50 $\Omega$ 0.02 %

**Certificates / Approvals**



Certification ABS, BV, CUL, DNV, GL, GOST, LR, UL  
 Certification Ex: CUL-EX LIS, PxC-EX, UL-EX LIS

**Accessories**

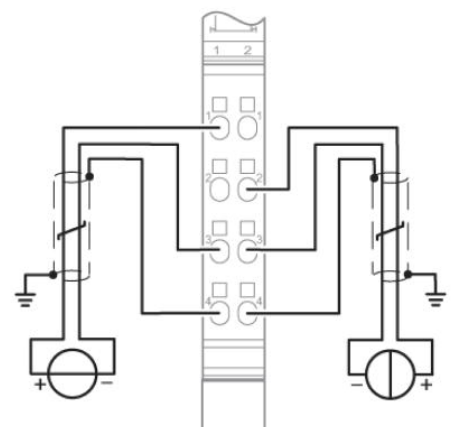
Item	Designation	Description
<b>Literature</b>		
2745554	IB IL SYS PRO UM	User Manual, German, for configuring and installing the INTERBUS Inline product range

<b>Marking</b>		
0809492	ESL 62X10	Insert strip for laser printer, lettering field: 62 x 10 mm
2727501	IB IL FIELD 2	Labeling field, width: 12.2 mm

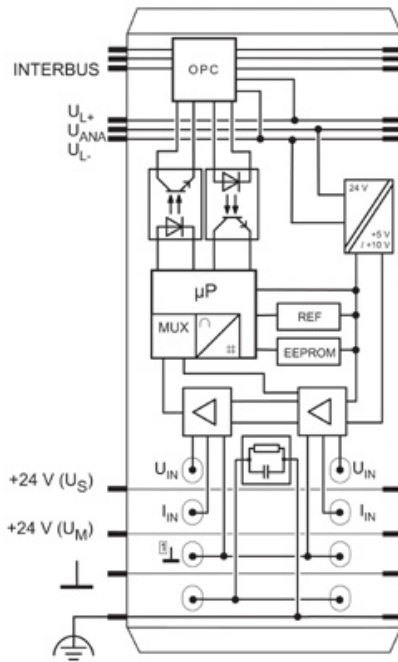
<b>Plug/Adapter</b>		
2740245	IB IL SCN 6-SHIELD-TWIN	Shield connector, for analog Inline terminals
2726353	IB IL SCN-6 SHIELD	Shield connector, for analog Inline terminals

**Diagrams/Drawings**

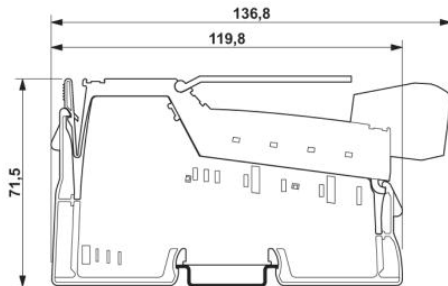
Connection diagram



Block diagram



Dimensioned drawing



**Address**

PHOENIX CONTACT Inc., USA  
586 Fulling Mill Road  
Middletown, PA 17057, USA  
Phone (800) 888-7388  
Fax (717) 944-1625  
<http://www.phoenixcon.com>



© 2010 Phoenix Contact  
Technical modifications reserved;