

# IB IL 24 SEG-PAC


Order No.: 2861344



<http://eshop.phoenixcontact.de/phoenix/treeViewClick.do?UID=2861344>

Inline segment terminal block, complete with accessories (connector and labeling field), 24 V DC, without fuse



Commercial data	
GTIN (EAN)	 4 017918 894283
sales group	K417
Pack	1 pcs.
Customs tariff	85366990
Catalog page information	Page 176 (AX-2011)

### Product notes

WEEE/RoHS-compliant since:  
06/01/2006



<http://www.download.phoenixcontact.com>  
Please note that the data given here has been taken from the online catalog. For comprehensive information and data, please refer to the user documentation. The General Terms and Conditions of Use apply to Internet downloads.

## Technical data

Interfaces	
Connection method	Inline potential distributor
Interface	Supply voltage
Power supply	
I/O voltage	24 V DC

Peripherals voltage range	19.2 V DC ... 30 V DC
Max. current consumption	6 A (8 A)

**General data**

Type of protection	Overload protection
Protective circuit/component	Fuse
Weight	42 g
Number of connectors	1
Width	12.2 mm
Height	119.8 mm
Depth	71.5 mm

**Inline potential routing**

Current consumption from $U_M$	max. 8 A (nominal value)
Segment supply voltage $U_s$	24 V DC
Power supply at $U_s$	max. 8 A (nominal value)

**Certificates / Approvals**



Certification	CUL, GOST, UL
Certification Ex:	CUL-EX LIS, UL-EX LIS

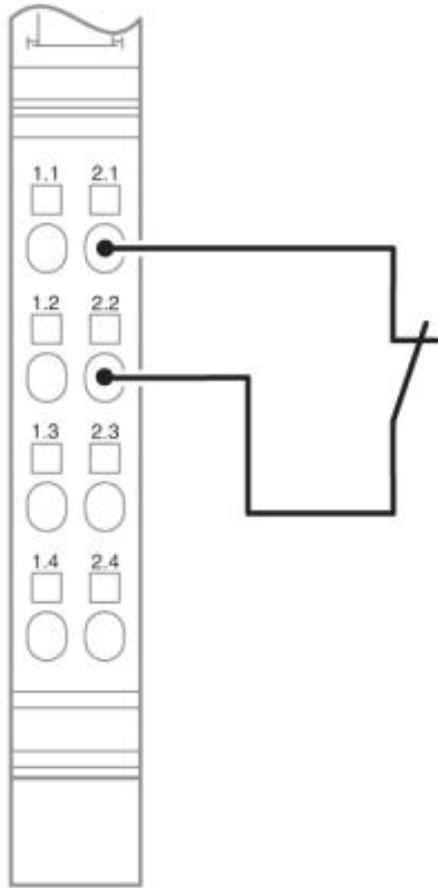
**Accessories**

Item	Designation	Description
<b>Marking</b>		
0809492	ESL 62X10	Insert strip for laser printer, lettering field: 62 x 10 mm
2727501	IB IL FIELD 2	Labeling field, width: 12.2 mm
<b>Plug/Adapter</b>		
2727637	IB IL SCN-PWR IN-CP	Connector, colored, for Inline power and segment terminal blocks

**Diagrams/Drawings**

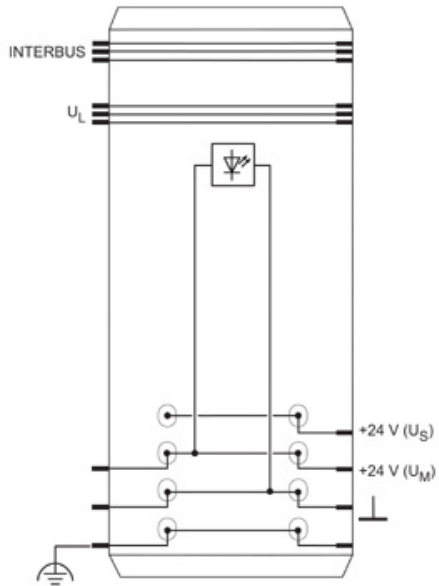
Connection diagram

---



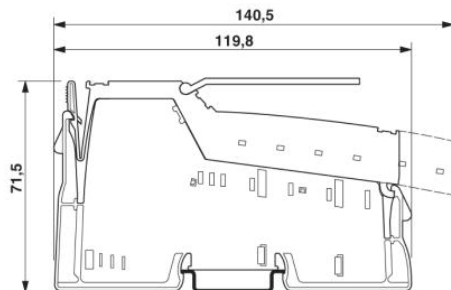
Block diagram

---



Dimensioned drawing

---



**Address**

PHOENIX CONTACT Inc., USA  
586 Fulling Mill Road  
Middletown, PA 17057, USA  
Phone (800) 888-7388  
Fax (717) 944-1625  
<http://www.phoenixcon.com>



© 2011 Phoenix Contact  
Technical modifications reserved;