

IB IL AO 1/U/SF-PAC


Order No.: 2861399



<http://eshop.phoenixcontact.de/phoenix/treeViewClick.do?UID=2861399>

Inline analog output terminal block, complete with accessories (connector and labeling field), 1 output, 0 - 10 V, 2-wire connection method



| Commercial data | |
|--------------------------|--|
| GTIN (EAN) |  4 017918 894337 |
| sales group | K412 |
| Pack | 1 pcs. |
| Customs tariff | 85389091 |
| Catalog page information | Page 202 (AX-2011) |

Product notes

WEEE/RoHS-compliant since:
07/05/2007



<http://www.download.phoenixcontact.com>
Please note that the data given here has been taken from the online catalog. For comprehensive information and data, please refer to the user documentation. The General Terms and Conditions of Use apply to Internet downloads.

Product description

The analog Inline output terminals are used in applications in which analog actuators are to be addressed.

With these terminals, common current and voltage output ranges can be configured individually. The analog signals are made available with a resolution of 16 bits.

It goes without saying that you also have advantages in handling with the analog Inline output terminals, such as multi-wire connection or the automatic contact with the grounding conductor when the terminal is snapped onto the DIN rail.

The Inline terminals can be labeled using hinged labeling fields. The fields have insert cards that can be labeled individually to suit the application. Additionally, there is the proven ZBFM-6... Zack strip for labeling the terminal points.

Technical data

General data

| | |
|--|---|
| Width | 12.2 mm |
| Height | 136.8 mm |
| Depth | 71.5 mm |
| Weight | 90 g |
| Mounting type | DIN rail |
| Ambient temperature (operation) | -25 °C ... 55 °C |
| Ambient temperature (storage/transport) | -25 °C ... 85 °C |
| Permissible humidity (operation) | 10 % ... 95 % (according to DIN EN 61131-2) |
| Permissible humidity (storage/transport) | 10 % ... 95 % (according to DIN EN 61131-2) |
| Air pressure (operation) | 70 kPa ... 106 kPa (up to 3000 m above sea level) |
| Air pressure (storage/transport) | 70 kPa ... 106 kPa (up to 3000 m above sea level) |
| Degree of protection | IP20 |
| Protection class | III, IEC 61140, EN 61140, VDE 0140-1 |
| Test section | 7.5 V supply (bus logic), 24 V supply U_{ANA} / I/O 500 V AC 50 Hz 1 min |
| | 7.5 V supply (bus logic), 24 V supply U_{ANA} /functional earth ground 500 V AC 50 Hz 1 min |
| | 24 V supply (I/O) / functional earth ground 500 V AC 50 Hz 1 min |

Interface

| | |
|----------------------|--------------------|
| Name | Inline local bus |
| Connection method | Inline data jumper |
| Transmission speed | 500 kbps |
| | 500 kBit/s |
| Transmission physics | Copper |

Inline potential routing

| | |
|------------------------------------|-------------------------------|
| Communications power U_L | 7.5 V DC (via voltage jumper) |
| Current consumption from U_L | max. 40 mA |
| | Typ. 30 mA |
| I/O supply voltage U_{ANA} | 24 V DC |
| Current consumption from U_{ANA} | max. 20 mA |
| | Typ. 15 mA |

Analog outputs

| | |
|---------------------------------|--|
| Number of outputs | 1 |
| Connection method | 2-wire (shielded) |
| Output name | Analog outputs |
| D/A resolution | 16 Bit |
| Type of protection | Transient protection of outputs |
| Representation of output values | 16 bits (15 bits + sign) |
| DAC resolution | 16 Bit |
| Process data update | < 1 ms |
| Voltage output signal | 0 V ... 10 V |
| Load/output load voltage output | > 2 kΩ 0.05 % |
| Precision | Typ. 0.5 % (of output range final value) |

Certificates / Approvals



| | |
|-------------------|-----------------------|
| Certification | CUL, GOST, UL |
| Certification Ex: | CUL-EX LIS, UL-EX LIS |

Accessories

| Item | Designation | Description |
|------|-------------|-------------|
|------|-------------|-------------|

Marking

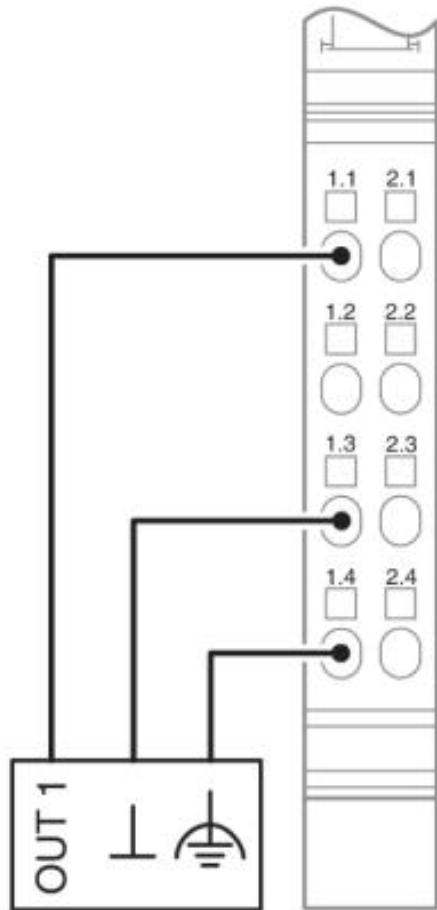
| | | |
|---------|---------------|---|
| 0809492 | ESL 62X10 | Insert strip for laser printer, lettering field: 62 x 10 mm |
| 2727501 | IB IL FIELD 2 | Labeling field, width: 12.2 mm |

Plug/Adapter

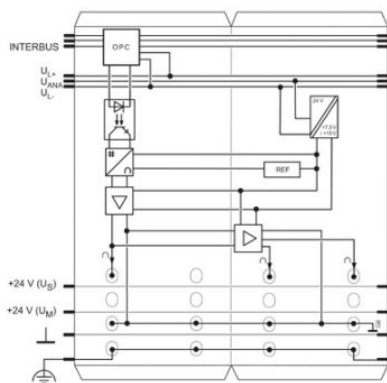
| | | |
|---------|--------------------|---|
| 2732664 | IB IL AO/CNT-PLSET | Connector set |
| 2726353 | IB IL SCN-6 SHIELD | Inline shield connector |
| 2726337 | IB IL SCN-8 | Connector, for digital 1, 2 or 8-channel Inline terminals |
| 2727608 | IB IL SCN-8-CP | Inline connector, colored |

Diagrams/Drawings

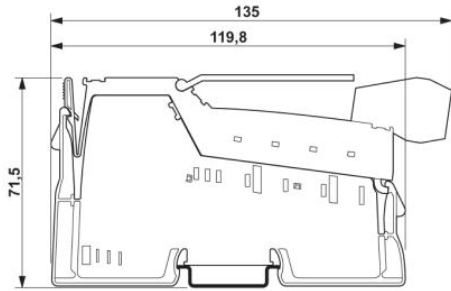
Connection diagram



Block diagram



Dimensioned drawing



Address

PHOENIX CONTACT Inc., USA
586 Fulling Mill Road
Middletown, PA 17057, USA
Phone (800) 888-7388
Fax (717) 944-1625
<http://www.phoenixcon.com>



© 2011 Phoenix Contact
Technical modifications reserved;