


IB IL 24/230 DOR4/W-PAC

Order No.: 2861878

<http://eshop.phoenixcontact.de/phoenix/treeViewClick.do?UID=2861878>

Inline digital output terminal, complete with accessories (connector and labeling field), 4 relay PDT gold contacts, 5 - 253 V AC, 3 A

**Commercial data**

| | |
|--------------------------|---|
| GTIN (EAN) |  4 017918 894573 |
| sales group | K411 |
| Pack | 1 pcs. |
| Customs tariff | 85389091 |
| Catalog page information | Page 189 (AX-2011) |

Product notes

WEEE/RoHS-compliant since:
11/21/2007



<http://www.download.phoenixcontact.com>
Please note that the data given here has been taken from the online catalog. For comprehensive information and data, please refer to the user documentation. The General Terms and Conditions of Use apply to Internet downloads.

Product description

The terminal is designed for use within an Inline station. It has four relay PDT contacts led out floating. The terminal can be used in the field of low voltage and AC. When using the terminal in AC applications, observe the applicable regulations and safety instructions!

Features

- Safe isolation in acc. with EN 50178
- Floating connection for four actuators

- Nominal current at output: 3 A
- Total current of terminal: 4x 3 A = 12 A
- Diagnostics and status display

Technical data

General data

| | |
|--|--|
| Width | 48.8 mm |
| Height | 119.8 mm |
| Depth | 71.5 mm |
| Note on dimensions | Housing dimensions |
| Weight | 138 g |
| Note on weight specifications | Without plug |
| Mounting type | DIN rail |
| Ambient temperature (operation) | -25 °C ... 55 °C |
| Ambient temperature (storage/transport) | -25 °C ... 85 °C |
| Permissible humidity (operation) | 0 % ... 85 % (in the range of -25°C ... +55°C, appropriate measures against increased humidity (> 85%) must be taken.) |
| Permissible humidity (storage/transport) | 0 % ... 85 % (slight temporary condensation may sometimes appear on the housing) |
| Air pressure (operation) | 70 kPa ... 106 kPa (up to 3000 m above sea level) |
| Air pressure (storage/transport) | 70 kPa ... 106 kPa (up to 3000 m above sea level) |
| Degree of protection | IP20 |
| Protection class | I, IEC 61140, EN 61140, VDE 0140-1 |
| Test section | Relay contact / Bus logics 4 kV 50 Hz 1 min |
| | Contact to contact 1 kV 50 Hz 1 min |
| | Contact / PE 1 kV 50 Hz 1 min |

Interface

| | |
|--------------------|--------------------|
| Name | Local bus |
| Connection method | Inline data jumper |
| Transmission speed | 500 kBaud |

Power supply for module electronics

| | |
|----------------------------|--|
| Supply voltage | 24 V DC (nominal value) |
| Supply voltage range | 19.2 V DC ... 30 V DC (including all tolerances, including ripple) |
| Communications power U_L | 7.5 V (via voltage jumper) |
| Current consumption | max. 187 mA (from the local bus) |

| | |
|------------------------------------|--------------------------------------|
| Power consumption | max. 0.17 W (from the local bus OFF) |
| Inline potential routing | |
| Communications power U_L | 7.5 V |
| Current consumption from U_L | max. 187 mA |
| Digital outputs | |
| Output name | Relay output |
| Connection method | Spring-cage connection |
| | Floating SPDT relay contact |
| Number of outputs | 4 |
| Maximum output current per channel | 3 A |
| Maximum output current per module | 12 A |

Certificates / Approvals



Certification

ABS, BV, CUL, DNV, GL, GOST, LR, UL

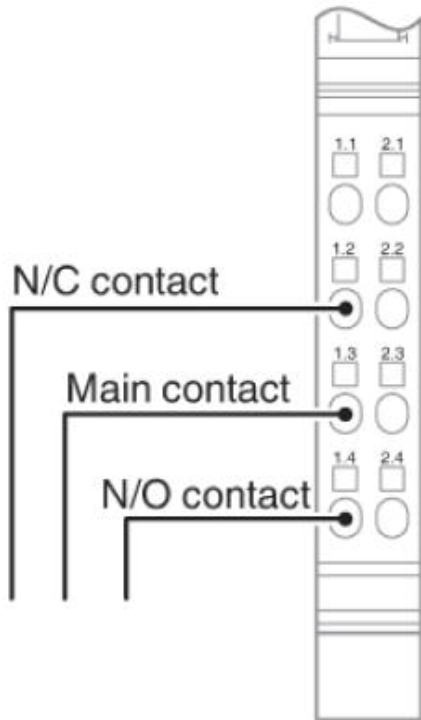
Accessories

| Item | Designation | Description |
|---------------------|----------------------|---|
| General | | |
| 2742641 | IB IL DOR LV-SET | Inline distance terminal, without accessories |
| 2742641 | IB IL DOR LV-SET | Inline distance terminal, without accessories |
| 2861645 | IB IL DOR LV-SET-PAC | Inline distance terminal, complete with accessories |
| Marking | | |
| 0809492 | ESL 62X10 | Insert strip for laser printer, lettering field: 62 x 10 mm |
| 0809502 | ESL 62X46 | Insert strip for laser printer, lettering field: 62 x 46 mm |
| 2727501 | IB IL FIELD 2 | Labeling field, width: 12.2 mm |
| 2727515 | IB IL FIELD 8 | Labeling field, width: 48.8 mm |
| Plug/Adapter | | |
| 2742667 | IB IL DOR LV-PLSET | Connector set for distance terminal |

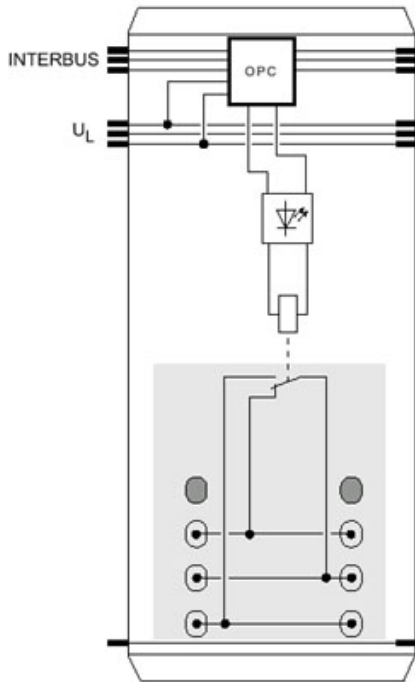
| | | |
|---------|--------------------|--|
| 2740290 | IB IL SCN-8-AC-REL | Plug, for digital 1, 2 or 8-channel Inline terminals with AC voltage |
|---------|--------------------|--|

Diagrams/Drawings

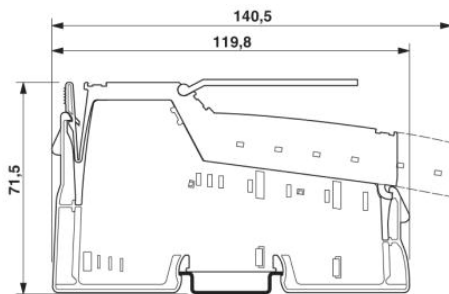
Connection diagram



Block diagram



Dimensioned drawing



Address

PHOENIX CONTACT Inc., USA
586 Fulling Mill Road
Middletown, PA 17057, USA
Phone (800) 888-7388
Fax (717) 944-1625
<http://www.phoenixcon.com>



© 2011 Phoenix Contact
Technical modifications reserved;