

# Antenna - RAD-ISM-2400-ANT-VAN- 3-0-SMA - 2885867

Please be informed that the data shown in this PDF Document is generated from our Online Catalog. Please find the complete data in the user's documentation. Our General Terms of Use for Downloads are valid (<http://phoenixcontact.com/download>)

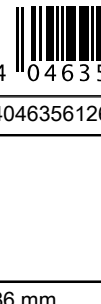


Omnidirectional antenna with protection against vandalism, 2.4 GHz, gain: 3 dBi, polarization: linear, opening angle: h/v 360°/85°, degree of protection: IP55, connection: SMA (male), for control cabinet mounting (optional wall mounting), incl. 1.5 m / 5 ft. connecting cable

## Why buy this product

- Impact-resistant housing
- For freely mobile applications
- For multipoint or mesh connections

## Key Commercial Data

Packing unit	1 STK
GTIN	 4 046356 126120
GTIN	4046356126120

## Technical data

### Dimensions

Width	86 mm
Height	43 mm
Fixed cable length	1.50 m

### Ambient conditions

Degree of protection	IP55
Ambient temperature (operation)	-40 °C ... 80 °C
Ambient temperature (storage/transport)	-40 °C ... 80 °C

### General

With connecting cable	yes
Frequency range	2.4 GHz
	2.4 GHz
Horizontal beamwidth	360 °

# Antenna - RAD-ISM-2400-ANT-VAN- 3-0-SMA - 2885867

## Technical data

### General

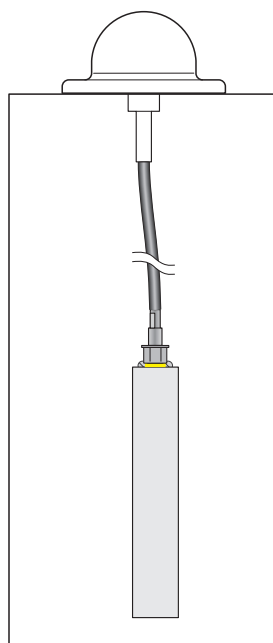
Vertical beamwidth	85 °
Polarization	Linear vertical
Impedance	50 Ω
Gain	3 dBi
Wind velocity	160 km/h (Has a force of 10 N)
Connection method	SMA (male)
Fixed cable length	1.50 m
Smallest bending radius, fixed installation	12.5 mm
Cable, attenuation	2 dB
Material	ASA (Antenna housing)
Mounting type	Control cabinet
Assembly instructions	Optional wall mounting

### Environmental Product Compliance

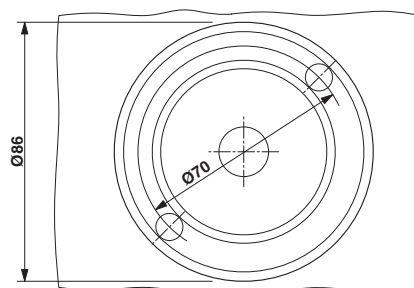
China RoHS	Environmentally Friendly Use Period = 25;
	For details about hazardous substances go to tab "Downloads", Category "Manufacturer's declaration"

## Drawings

Schematic diagram



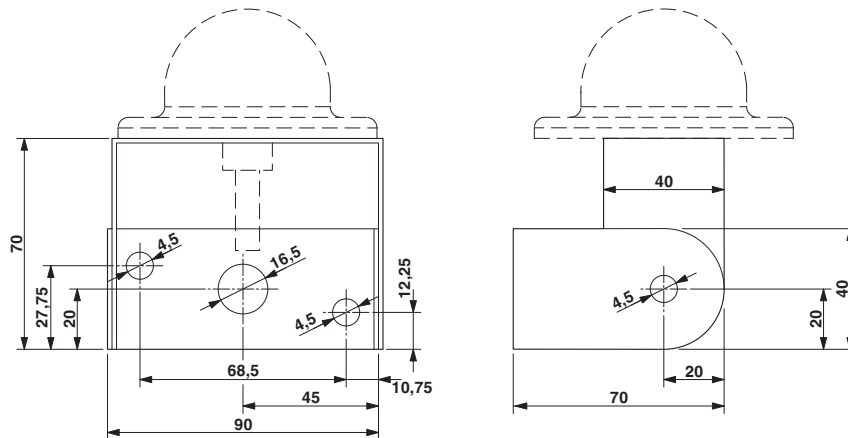
Drilling diagram



### Installation example

# Antenna - RAD-ISM-2400-ANT-VAN- 3-0-SMA - 2885867

Dimensional drawing



Phoenix Contact 2018 © - all rights reserved  
<http://www.phoenixcontact.com>

PHOENIX CONTACT GmbH & Co. KG  
Flachsmarktstr. 8  
32825 Blomberg  
Germany  
Tel. +49 5235 300  
Fax +49 5235 3 41200  
<http://www.phoenixcontact.com>