


IB IL TEMP 4/8 RTD/EF-PAC

Order No.: 2897402

<http://eshop.phoenixcontact.de/phoenix/treeViewClick.do?UID=2897402>

Inline Modular analog input terminal; 8 inputs, RTD (resistance temperature detector), 4-wire connection method, complete with individually numbered I/O connectors

Commercial data	
GTIN (EAN)	 4 046356 288026
sales group	K412
Pack	1 pcs.
Customs tariff	85389091
Catalog page information	Page 197 (AX-2011)

Product notes

WEEE/RoHS-compliant since:
11/26/2007

<http://www.download.phoenixcontact.com>
Please note that the data given here has been taken from the online catalog. For comprehensive information and data, please refer to the user documentation. The General Terms and Conditions of Use apply to Internet downloads.

Technical data	
General data	
Width	48.8 mm
Height	119.8 mm
Depth	71.5 mm
Weight	190 g

Mounting type	DIN rail
Operating mode	Process data mode with 5 words/1 word PCP
Ambient temperature (operation)	-25 °C ... 55 °C
Ambient temperature (storage/transport)	-25 °C ... 85 °C
Permissible humidity (operation)	10 % ... 95 % (according to DIN EN 61131-2)
Permissible humidity (storage/transport)	10 % ... 95 % (according to DIN EN 61131-2)
Air pressure (operation)	70 kPa ... 106 kPa (up to 3000 m above sea level)
Air pressure (storage/transport)	70 kPa ... 106 kPa (up to 3000 m above sea level)
Degree of protection	IP20
Protection class	III, IEC 61140, EN 61140, VDE 0140-1
Test section	7.5 V supply (bus logics)/24 V analog supply (analog I/O) 500 V AC 50 Hz 1 min
	7.5 V supply (bus logics) / functional earth ground 500 V AC 50 Hz 1 min
	5 V supply incoming remote bus/7.5 V supply (bus logic) 500 V AC 50 Hz 1 min
	5 V supply outgoing remote bus/7.5 V supply (bus logic) 500 V AC 50 Hz 1 min
	I/O / functional earth ground 500 V AC 50 Hz 1 min

Interface

Name	Inline local bus
Connection method	Inline data jumper
Transmission speed	500 kbps
	500 kBit/s
Transmission physics	Copper

Inline potential routing

Communications power U_L	7.5 V DC (via voltage jumper)
Current consumption from U_L	Typ. 95 mA
I/O supply voltage U_{ANA}	24 V DC
Current consumption from U_{ANA}	Typ. 6 mA
Power consumption	Typ. 0.85 W

Analog inputs

Number of inputs	8
Input name	Analog RTD inputs
Description of the input	Input for resistive temperature sensors

Connection method	Spring-cage connection
	4-wire
Sensor types (RTD) that can be used	Pt, Ni, KTY, linear resistors
Linear resistance measuring range	0 Ω ... 500 Ω
	0 Ω ... 5 kΩ
	0 Ω ... 30 kΩ
Measuring principle	Sigma/Delta process
Measured value representation	16 bits (15 bits + sign bit)
Resolution A/D	24 bit
Process data update	1.8 s (Up to 3.3 s possible depending on operating mode)
Data formats	IB IL, S7-compatible

Certificates / Approvals



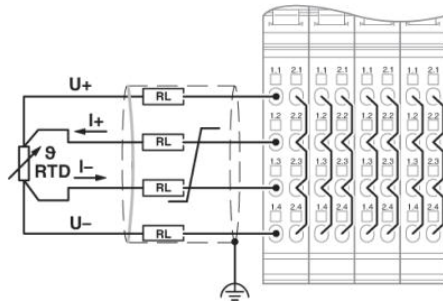
Certification	CUL Listed, UL Listed
Certification Ex:	CUL-EX LIS, PxC-EX, UL-EX LIS

Accessories

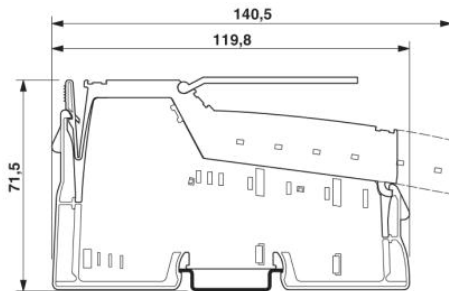
Item	Designation	Description
Marking		
0809492	ESL 62X10	Insert strip for laser printer, lettering field: 62 x 10 mm
2727501	IB IL FIELD 2	Labeling field, width: 12.2 mm
Plug/Adapter		
2726337	IB IL SCN-8	Connector, for digital 1, 2 or 8-channel Inline terminals

Diagrams/Drawings

Connection diagram



Dimensioned drawing



Address

PHOENIX CONTACT Inc., USA
586 Fulling Mill Road
Middletown, PA 17057, USA
Phone (800) 888-7388
Fax (717) 944-1625
<http://www.phoenixcon.com>



© 2011 Phoenix Contact
Technical modifications reserved;