

## ST-OV3- 60DC/ 60DC/3

Order No.: 2903011

The illustration shows version ST-OV 3- 5 DC/60 DC/3



<http://eshop.phoenixcontact.de/phoenix/treeViewClick.do?UID=2903011>

Pluggable power optocoupler, with light indicator and protection circuits in the input and output circuits, input: 48 - 60 V DC, output: 12-60 V DC/max. 3 A, can be plugged on basic termination blocks

Commercial data	
GTIN (EAN)	4017918078867
Note	Made-to-order
sales group	G101
Pack	10 pcs.
Customs tariff	85364190
Weight/Piece	0.058 KG
Catalog page information	Page 92 (IF-2005)

#### Product notes

WEEE/RoHS-compliant since:  
01/15/2007



<http://www.download.phoenixcontact.com>  
Please note that the data given here has been taken from the online catalog. For comprehensive information and data, please refer to the user documentation. The General Terms and Conditions of Use apply to Internet downloads.

### Technical data

Input data	
Nominal input voltage $U_N$	60 V DC +20% -36%

Switching threshold "0" signal in reference to $U_N$	$\leq 0.4$
Switching threshold "1" signal in reference to $U_N$	$\geq 0.8$
Typical input current at $U_N$	7 mA
Typical response time	20 $\mu$ s
Typical turn-off time	200 $\mu$ s
Transmission frequency	500 Hz

#### Output data

Output nominal voltage range	12 V DC ... 60 V DC
Limiting continuous current	3 A
Surge current	5 A (t = 1 s)
Peak offstate voltage	70 V DC (Collector-emitter reverse voltage)
Voltage drop at max. limiting continuous current	1.2 V
Output circuit	2-conductor floating
Name of protection	Polarity protection
	Surge protection
Protective circuit/component	Polarity protection diode

#### General data

Width	20.8 mm
Height	66.5 mm
Depth	33 mm
Test voltage input/output	2.5 kV AC
Ambient temperature (operation)	-20 °C ... 60 °C
Ambient temperature (storage/transport)	-20 °C ... 70 °C
Mounting position	Any
Standards/regulations	IEC 60664
	IEC 60664 A
	DIN VDE 0110

#### Certificates / Approvals

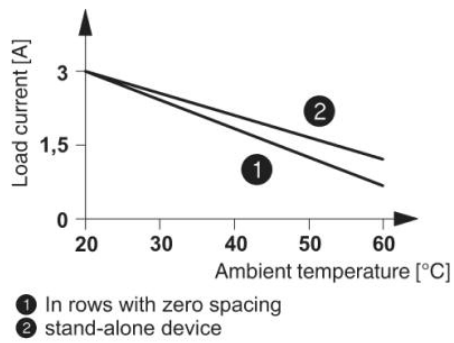


Certification

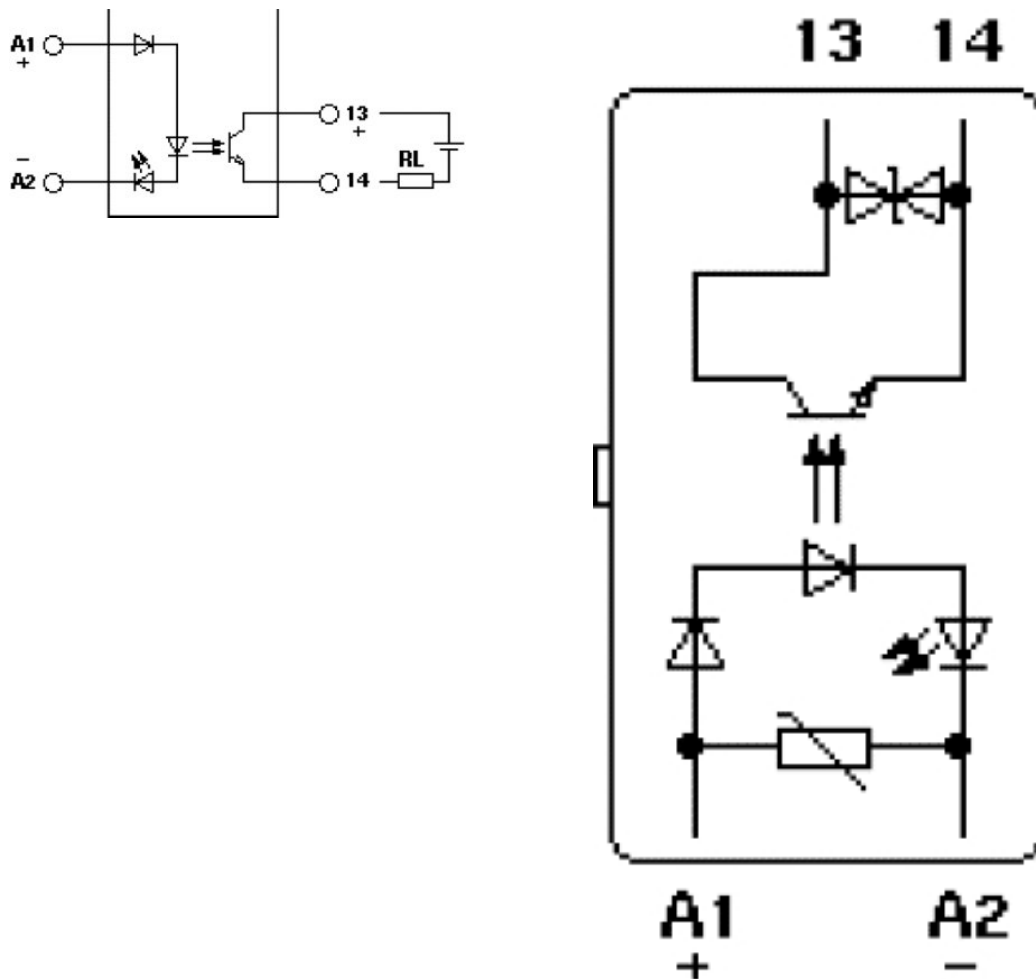
GOST

## Diagrams/Drawings

### Diagram



### Circuit diagram



**Address**

PHOENIX CONTACT Inc., USA  
586 Fulling Mill Road  
Middletown, PA 17057, USA  
Phone (800) 888-7388  
Fax (717) 944-1625  
<http://www.phoenixcon.com>



© 2010 Phoenix Contact  
Technical modifications reserved;