

ST-OV3-110DC/240AC/3


Order No.: 2903066

The illustration shows version ST-OV 3- 5 DC/240 AC/3



<http://eshop.phoenixcontact.de/phoenix/treeViewClick.do?UID=2903066>

Pluggable power optocoupler, with light indicator and protection circuits in the input and output circuits, input: 110 V DC, output: 24-280 V AC/max. 3 A, can be plugged on basic termination blocks

Commercial data	
GTIN (EAN)	 4 017918 078911
Note	Made-to-order
sales group	G102
Pack	10 pcs.
Customs tariff	85364900
Catalog page information	Page 92 (IF-2005)

Product notes

WEEE/RoHS-compliant since:
12/12/2006



<http://www.download.phoenixcontact.com>
Please note that the data given here has been taken from the online catalog. For comprehensive information and data, please refer to the user documentation. The General Terms and Conditions of Use apply to Internet downloads.

Technical data

Input data	
Nominal input voltage U_N	110 V DC ± 20 %

Switching threshold "0" signal, voltage	≤ 35 V
Switching threshold "1" signal voltage	≥ 75 V
Typical input current at U _N	8 mA
Typical response time	(switch-on time: Max. one half cycle - zero-voltage crossing)
Typical turn-off time	(switch-off time Max. one half cycle - zero-current crossing)
Operating voltage display	Yellow LED
Type of protection	Protection against polarity reversal
Protective circuit/component	Polarity protection diode
Transmission frequency	25 Hz

Output data

Output nominal voltage range	24 V AC ... 280 V AC
Limiting continuous current	3 A (see derating curve)
Min. load current	50 mA
Leakage current	5 mA (in off state - components with low minimum load and leakage currents on request.)
Surge current	35 A (t = 10 ms)
Max. load value	6 A ² s (I ² x t at t = 8.3 ms)
Peak offstate voltage	600 V
Voltage drop at max. limiting continuous current	1.5 V
Output circuit	2-wire, floating
Protective circuit/component	RC element

General data

Width	20.8 mm
Height	33 mm
Depth	66.5 mm
Test voltage input/output	2.5 kV AC
Ambient temperature (operation)	-20 °C ... 60 °C
Ambient temperature (storage/transport)	-20 °C ... 70 °C
Mounting position	Any
Standards/regulations	DIN VDE 0110

Certificates / Approvals

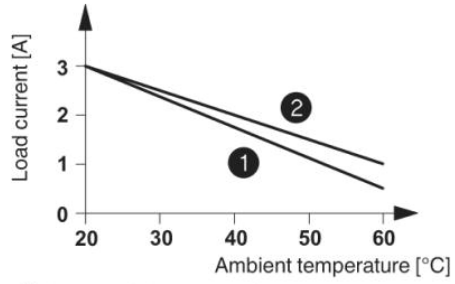


Certification

GOST

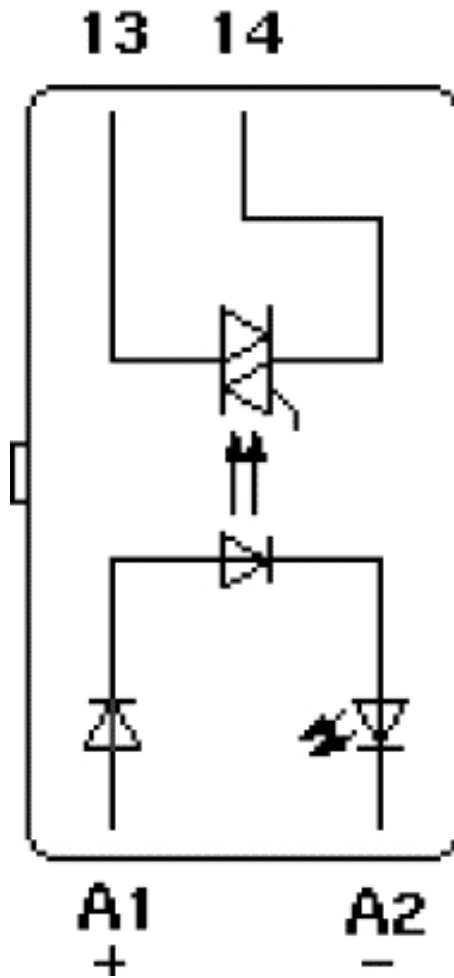
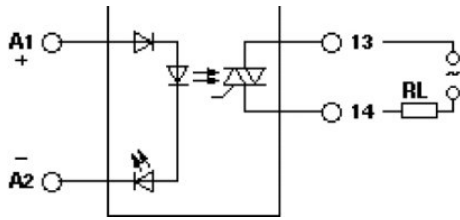
Diagrams/Drawings

Diagram



- ① In rows with zero spacing
- ② stand-alone device

Circuit diagram



Address

PHOENIX CONTACT Inc., USA
586 Fulling Mill Road
Middletown, PA 17057, USA
Phone (800) 888-7388
Fax (717) 944-1625
<http://www.phoenixcon.com>



© 2011 Phoenix Contact
Technical modifications reserved;