

Controller - PLC-V8C/SC-24DC/SAM - 2905082

Please be informed that the data shown in this PDF Document is generated from our Online Catalog. Please find the complete data in the user's documentation. Our General Terms of Use for Downloads are valid (<http://phoenixcontact.com/download>)



PLC logic standalone logic module with 16 I/Os for plug-in connection to 8 PLC-INTERFACE terminal blocks, cannot be extended, integrated realtime clock, connection to PC via micro USB socket, accommodates external memory block, screw connection

Product Features



Key commercial data

| | |
|--------------------------------------|-----------|
| Packing unit | 1 pc |
| Weight per Piece (excluding packing) | 130.0 GRM |
| Custom tariff number | 85389099 |
| Country of origin | Germany |

Technical data

Note

| | |
|-------------------------|---|
| Utilization restriction | EMC: class A product, see manufacturer's declaration in the download area |
|-------------------------|---|

Power supply

| | |
|--------------------------------|--------------------------------------|
| Supply voltage | 24 V DC |
| Supply voltage range | 19.2 V DC ... 26.4 V DC |
| Maximum input current at U_N | 120 mA |
| Protective circuit | Protection against polarity reversal |
| | Surge protection |
| Status display | Green LED |

Input data (digital)

| | |
|--------------------------|------------------------------|
| Number of inputs | 8 (2 configurable as analog) |
| Description of the input | EN 61131-2, type 3 |
| Input voltage | 24 V DC |

Controller - PLC-V8C/SC-24DC/SAM - 2905082

Technical data

Input data (digital)

| | |
|--------------------------|-------------|
| Signal level "0" signal | < 5 V |
| Signal level "1" signal | > 11 V |
| Input current "0" signal | < 1 mA |
| Input current "1" signal | typ. 2.5 mA |
| Status display | Yellow LED |

Input data (analog)

| | |
|---------------------|--|
| Number of inputs | 2 (IN6 and IN7 are configurable as analog) |
| Input voltage range | 0 V ... 10 V |
| Input resistance | > 3.5 kΩ |

Input data (PLC-INTERFACE)

| | |
|-----------------------------|--|
| Number of inputs | ≤ 8 |
| Description of the input | technical data depends on the PLC used |
| Input voltage | 19 V DC |
| Typical current consumption | 4 mA |
| Input resistance | < 100 mΩ |

Output data

| | |
|------------------------|---------|
| Number of outputs | ≤ 8 |
| Nominal output voltage | 24 V DC |
| Nominal current | 9 mA |

General data

| | |
|----------------------------|---------------------------------------|
| Realtime clock accuracy | ±2 s/d |
| Realtime clock buffer time | 24 h (Capacitor) |
| Color | green |
| Mounting position | any |
| Assembly instructions | Can be plugged onto 8 x PLC-INTERFACE |
| Operating mode | 100% operating factor |
| Degree of protection | IP20 |

Standards/regulations

| | |
|--------------------------|--|
| Designation | Air clearances and creepage distances between the power circuits |
| Standards/regulations | DIN EN 50178 |
| Rated insulation voltage | 50 V |
| Rated surge voltage | 0.8 kV |
| Insulation | Basic insulation |
| Pollution degree | 2 |
| Surge voltage category | III |

Controller - PLC-V8C/SC-24DC/SAM - 2905082

Technical data

Connection data (supply and digital inputs)

| | |
|--|------------------------------|
| Connection name | COMBICON connection |
| Conductor cross section flexible min. | 0.14 mm ² |
| Conductor cross section flexible max. | 1.5 mm ² |
| Conductor cross section solid min. | 0.14 mm ² |
| Conductor cross section solid max. | 1.5 mm ² |
| Conductor cross section flexible, with ferrule with plastic sleeve min. | 0.25 mm ² |
| Conductor cross section flexible, with ferrule with plastic sleeve max. | 0.5 mm ² |
| Conductor cross section flexible, with ferrule without plastic sleeve min. | 0.25 mm ² |
| Conductor cross section stranded, with ferrule without plastic sleeve max. | 1.5 mm ² |
| Min. AWG conductor cross section, stranded | 28 |
| Max. AWG conductor cross section, stranded | 16 |
| Conductor cross section AWG/kcmil min. | 28 |
| Conductor cross section AWG/kcmil max. | 16 |
| Screw thread | M2 |
| Number of connections | 1 |
| Connection method | Screw connection |
| Number of positions | 10 |
| Stripping length | 7 mm |
| Note | Device supply and 8 x inputs |
| Torque | 0.22 Nm ... 0.25 Nm |

Connection data (programming interface)

| | |
|-----------------------|------------------------|
| Connection name | Programming connection |
| Number of connections | 1 |
| Connection method | Micro USB type B |

Connection data (S-port)

| | |
|-----------------------|----------------------------------|
| Connection name | Memory |
| Number of connections | 1 |
| Connection method | S-PORT (socket) |
| Number of positions | 12 |
| Note | For connecting the memory module |

Ambient conditions

| | |
|--|------------------|
| Ambient temperature (operation) | -20 °C ... 45 °C |
| Ambient temperature (storage/transport) | -20 °C ... 70 °C |
| Max. permissible relative humidity (operation) | 95 % |

Dimensions

Controller - PLC-V8C/SC-24DC/SAM - 2905082

Technical data

Dimensions

| | |
|--------|--------|
| Width | 50 mm |
| Height | 106 mm |
| Depth | 87 mm |

Classifications

eCl@ss

| | |
|------------|----------|
| eCl@ss 5.1 | 27242608 |
| eCl@ss 6.0 | 27242608 |

ETIM

| | |
|----------|----------|
| ETIM 4.0 | EC001417 |
| ETIM 5.0 | EC001417 |

Approvals

Approvals


Approvals

UL Listed / cUL Listed / EAC / cULus Listed

Ex Approvals

Approvals submitted

Approval details

| |
|---|
| UL Listed  |
|---|

| |
|--|
| cUL Listed  |
|--|

| |
|-----|
| EAC |
|-----|

Controller - PLC-V8C/SC-24DC/SAM - 2905082

Approvals



Accessories

Accessories

Labeled terminal marker

Zack Marker strip, flat - ZBF 19,7 CUS - 0825021



Zack Marker strip, flat, can be ordered: Strip, white, labeled according to customer specifications, Mounting type: Snap into flat marker groove, for terminal block width: 19.7 mm, Lettering field: 5.15 x 19.7 mm

Memory block

Memory block - IFS-CONFSTICK - 2986122



Multi-functional memory block for the INTERFACE systemf for easy storage and backup of the configuration.

Programming cable

Connecting cable - CAB-USB A/MICRO USB B/2,0M - 2701626



Connecting cable, for connecting the controller to a PC for PC Worx, USB A to micro USB B, 2 m in length.

Screwdriver tools

Controller - PLC-V8C/SC-24DC/SAM - 2905082

Accessories

Screwdriver - SZS 0,4X2,5 VDE - 1205037



Screwdriver, slot-headed, VDE insulated, size: 0.4 x 2.5 x 80 mm, 2-component grip, with non-slip grip

Terminal marking

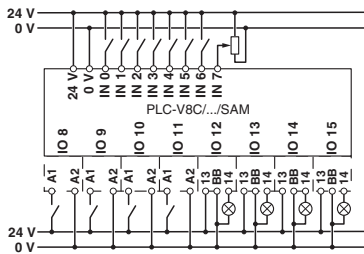
Zack marker strips off the roll, flat - ZBF 19,7:UNBEDRUCKT - 0810627



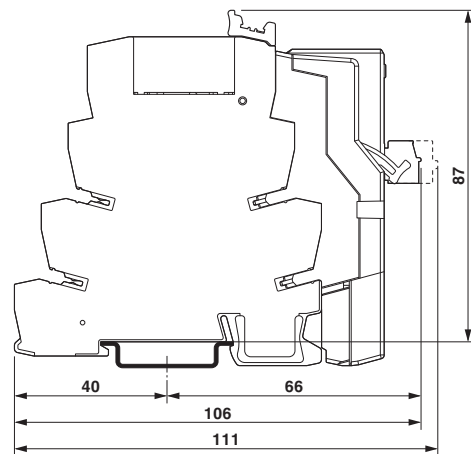
Zack marker strips off the roll, flat, Strip, white, unlabeled, can be labeled with: Plotter, Mounting type: Snap into flat marker groove, Lettering field: 19.7 x 5.2 mm

Drawings

Connection diagram

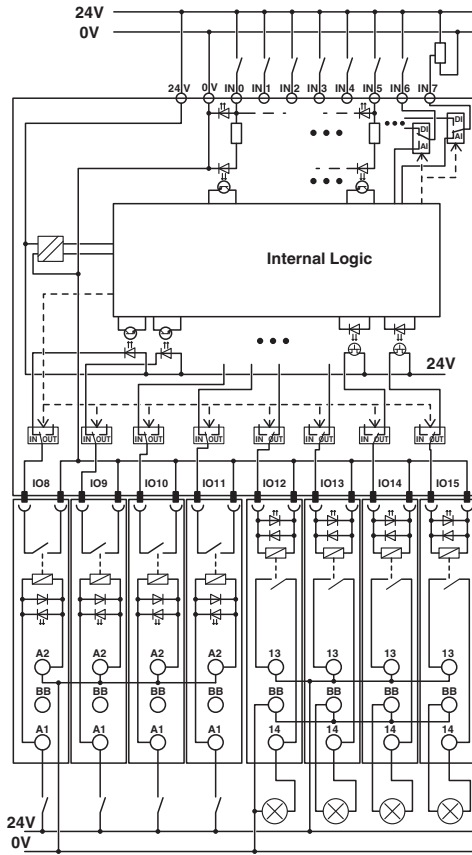


Dimensional drawing

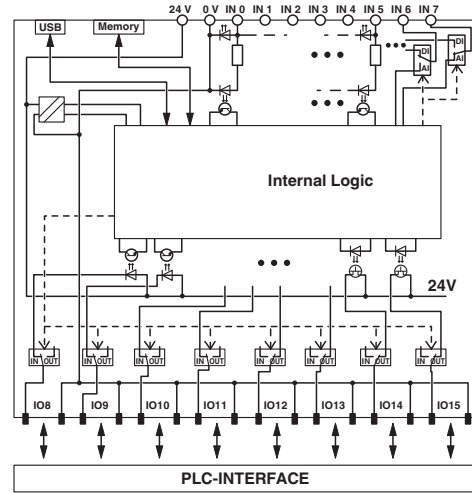


Controller - PLC-V8C/SC-24DC/SAM - 2905082

Circuit diagram

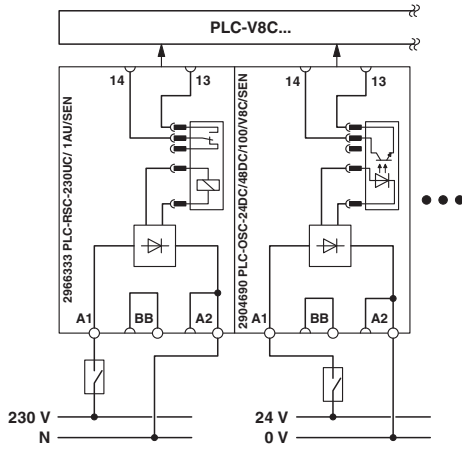


Circuit diagram



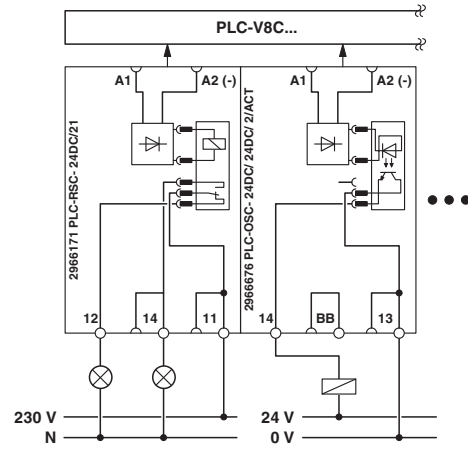
Controller - PLC-V8C/SC-24DC/SAM - 2905082

Circuit diagram



Basic circuit diagram: inputs via PLC-INTERFACE with the example of one input terminal block with relay (230 V AC) and one input terminal block with solid-state relay (24 V DC).

Circuit diagram



Basic circuit diagram: outputs via PLC-INTERFACE with the example of an output terminal block with relay, 1 PDT, and an output terminal block with solid-state relay.