

Passive module - UM-FLK10/PI/FU/ROC800 - 2905962

Please be informed that the data shown in this PDF Document is generated from our Online Catalog. Please find the complete data in the user's documentation. Our General Terms of Use for Downloads are valid (<http://phoenixcontact.com/download>)




Varioface module intended for use with the ROC800 controller PI cards

Your advantages

- ✓ Three-level screw terminals for field wiring
- ✓ UM-PRO housing
- ✓ Per channel pluggable fusing, TE5 style, 200 mA
- ✓ Per channel blown fuse indication
- ✓ FLK10 connection on the control side
- ✓ Tested for continuity
- ✓ Per channel configurability for high or low inputs



Key Commercial Data

Packing unit	1 pc
GTIN	 4 055626 047485
GTIN	4055626047485

Technical data

Dimensions

Width	54 mm
Height	92.3 mm
Depth	78.9 mm

Ambient conditions

Ambient temperature (operation)	-40 °C ... 60 °C
Ambient temperature (storage/transport)	-40 °C ... 60 °C

General

Max. perm. operating voltage	24 V DC
------------------------------	---------

Passive module - UM-FLK10/PI/FU/ROC800 - 2905962

Technical data

General

Max. perm. current (per branch)	200 mA (in as-supplied state, with one 200 mAF fuse, max. 1 A permitted)
Number of positions	12
Mounting position	any

Connection data for connection 1

Connection name	Field level
Connection in acc. with standard	IEC / EN
Connection method	Screw connection
Stripping length	7 mm
Screw thread	M3
Conductor cross section solid	0.2 mm ² ... 4 mm ²
Conductor cross section flexible	0.2 mm ² ... 2.5 mm ²
Conductor cross section AWG	24 ... 12
Number of positions	6

Connection data for connection 2

Connection name	Controller level
Connection method	IDC/FLK pin strip
Number of connections	1
Number of positions	10
Pitch	2.54 mm

Supported controller

Controller	Emerson ROC800
- suitable I/O card	ROC800 PI

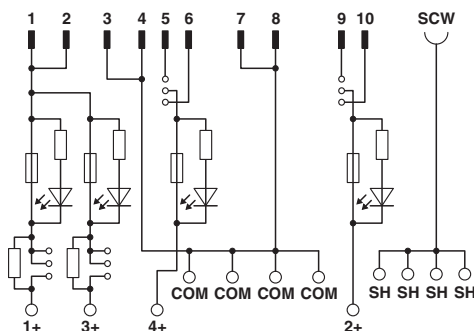
Environmental Product Compliance

REACH SVHC	Lead 7439-92-1
China RoHS	Environmentally Friendly Use Period = 50
	For details about hazardous substances go to tab "Downloads", Category "Manufacturer's declaration"

Drawings

Passive module - UM-FLK10/PI/FU/ROC800 - 2905962

Circuit diagram



Approvals

Approvals

Approvals

UL Recognized / cUL Recognized / cULus Recognized

Ex Approvals

Approval details

UL Recognized		http://database.ul.com/cgi-bin/XYV/template/LISEXT/1FRAME/index.htm	FILE E 238705
Nominal current IN	0.2 A		
mm ² /AWG/kcmil	30-12		

cUL Recognized		http://database.ul.com/cgi-bin/XYV/template/LISEXT/1FRAME/index.htm	FILE E 238705
Nominal current IN	0.2 A		
mm ² /AWG/kcmil	30-12		

cULus Recognized	
------------------	--

Phoenix Contact 2019 © - all rights reserved
<http://www.phoenixcontact.com>

PHOENIX CONTACT GmbH & Co. KG
Flachmarktstr. 8
32825 Blomberg
Germany
Tel. +49 5235 300
Fax +49 5235 3 41200
<http://www.phoenixcontact.com>