


PSR-SACB-4/4-L-10,0PUR-SD

Order No.: 2981884

<http://eshop.phoenixcontact.de/phoenix/treeViewClick.do?UID=2981884>

The sensor box PSR-SACB for safety limit switches safely interconnects up to 4 connected limit switches, each with 1 N/C contact and 1 N/O contact, to a safety relay combination, e.g. PSR-SDC4, cable length: 10 m

Commercial data	
GTIN (EAN)	 4 046356 167987
sales group	G592
Pack	1 pcs.
Customs tariff	85366990
Catalog page information	Page 27 (IF-2011)

Product notesWEEE/RoHS-compliant since:
03/29/2007

<http://www.download.phoenixcontact.com>
Please note that the data given here has been taken from the online catalog. For comprehensive information and data, please refer to the user documentation. The General Terms and Conditions of Use apply to Internet downloads.

Technical data	
Master cable	
Cable type	Master cable suitable for flexible cable conduit
Fixed cable length	10 m

Ambient temperature (operation)	-30 °C ... 70 °C (for fixed installation)
	-5 °C ... 70 °C (for flexible installation)
Signal line cross section, stranded	0.34 mm ²
Power supply cross section, stranded	0.75 mm ² (3x)
External diameter	8.2 mm

General data

Number of positions	4
Number of slots	4
Status display	Yellow LED
Max. permissible current	100 mA (per signal output)
Max. permissible total current	100 mA (alarm outputs)
Ambient temperature (operation)	-20 °C ... 70 °C
Ambient temperature (storage/transport)	-20 °C ... 70 °C
Nominal operating mode	100% operating factor
Degree of protection	IP65/67
Mounting position	Any
Assembly instructions	In rows with zero spacing
Name	Air and creepage distances
Standards/regulations	DIN EN 50178
Rated surge voltage / insulation	0.8 kV
Rated insulation voltage	50 V DC
Pollution degree	2
Surge voltage category	III
Insulating material (housing)	PA 6.6
Inflammability class acc. to UL 94	V0
Height	82 mm
Width	54 mm
Depth	19 mm

Certificates / Approvals



Certification

CUL, GOST, UL

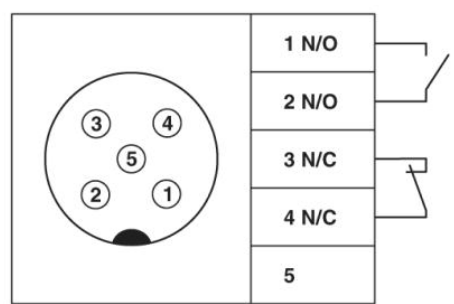
Accessories

Item	Designation	Description
Marking		
2809128	ZBN 18:UNBEDRUCKT	Unprinted marker labels, strips with 5 labels for individual labeling with M-PEN or CMS system, for terminal block width: 17.5 mm, color: White

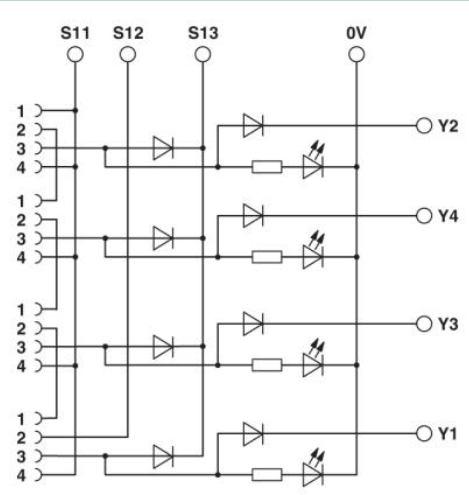
Plug/Adapter		
1539570	SAC-2P-M12MS ASI TR	Termination resistor ASI

Diagrams/Drawings

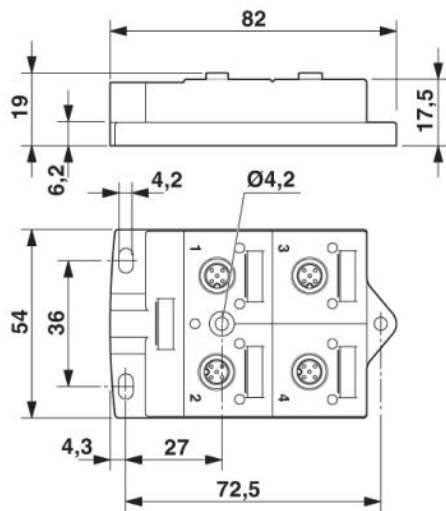
Connection diagram



Block diagram



Dimensioned drawing



Address

PHOENIX CONTACT Inc., USA
586 Fulling Mill Road
Middletown, PA 17057, USA
Phone (800) 888-7388
Fax (717) 944-1625
<http://www.phoenixcon.com>



© 2011 Phoenix Contact
Technical modifications reserved;